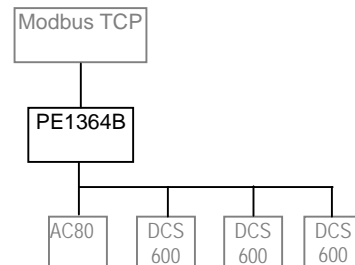


DESCRIPTION

| | | | | |
|------------------------------------|------------|----------------------|------|------------------------|
| Firmware PE1364B Program Ver 20 | From-Från | Date-Datum | Reg. | Page-Sidan 1 |
| | 2010-04-12 | | | |
| Dealt with by-Utfördare | | Telephone-Telefon-nr | | |
| Sven-Erik Karlsson | | 187050 | | |

ModulBus(DDCS) – Modbus TCP converter PE1364B

1. General

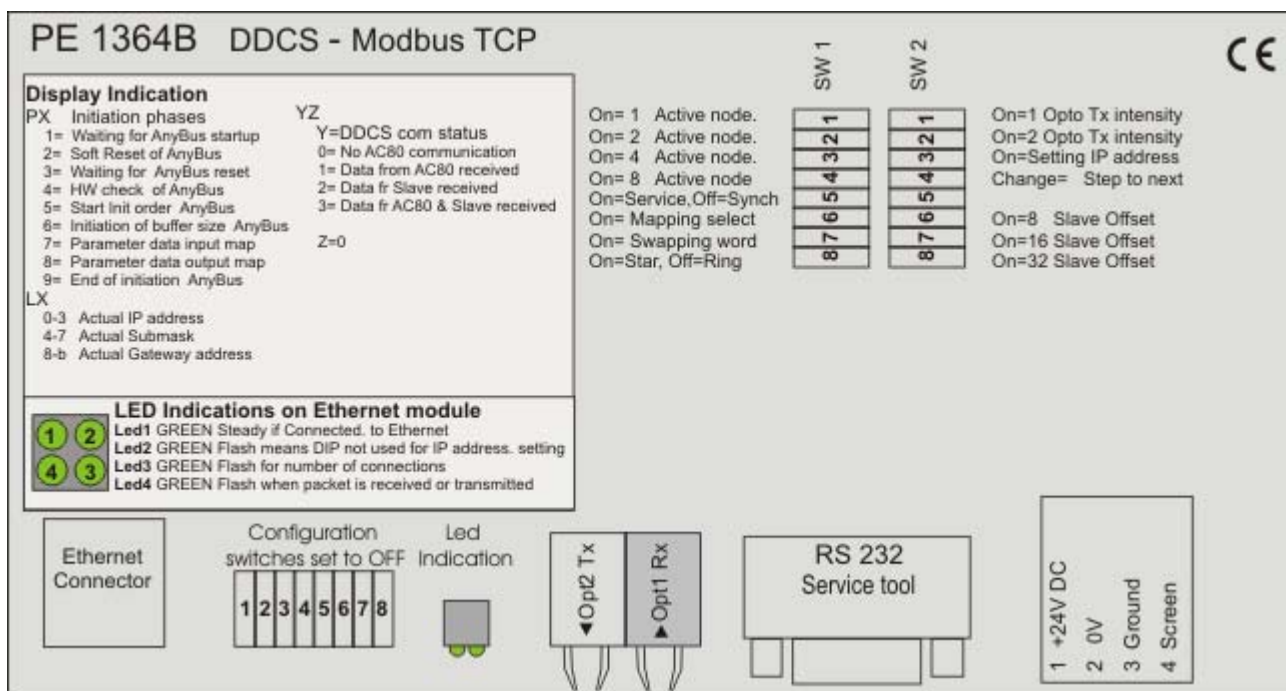


PE1364B is a protocol converter designed to read data traffic on DDCS communication and make the data available on ModBus TCP. PE1364B can listen to data to and from node 1-18. PE1364B can also act as Slave 1-8 on the Modulbus (DDCS). This give possibility to transfer data from AC80 to Modbus TCP.

The unit is enclosed in a metal box with connection terminal for Power supply. Connector type 9 pins Dsub for Service port RS232 (Mudbus RTU 9600Baud).

The ModuleBus (DDCS) has optical fiber for transmit and received data.

Modbus TCP connection is made with RJ45 ethernet connector.



2. Technical description

2.1 Dimension and mounting

PE1364B is mounted in a cubicle or in a separate enclosure together with 24V DC supply.

To obtain the best immunity to electric noise the PE1364B must be electrically connected to cubicle through 4 M5 screws in each corner.

Size: 196 x 170 mm (w x h)
 Required mounting deep: 50mm
 Mounting screws: 4 x M5
 Mounting holes position: 176 x 160mm(w x h)

DESCRIPTION

| | | | | |
|------------------------------------|------------|----------------------|------|------------------------|
| Firmware PE1364B Program Ver 20 | From-Från | Date-Datum | Reg. | Page-Sidan 2 |
| | 2010-04-12 | | | |
| Dealt with by-Utfördare | | Telephone-Telefon-nr | | |
| Sven-Erik Karlsson | | 187050 | | |

ModulBus(DDCS) – Modbus TCP converter PE1364B

2.2 Technical data

Power supply 24V DC (12-30V DC)
Current consumption 170mA at 24V

Enclosure class IP00
Operation 5..+40 °C., Storage -40..+70 °C.

Communication to ABB AC80/AC4xx

PE1364B is connected in a ring with 1.0mm plastic fiber POF or 200µm Hard Clad Silica HCS fiber.
Opto fiber: Transmission speed 4Mbit

Max length : 200m of 200µmHCS (Use TB810) or 15m 1.0mm plastic (Use TB810 or TB811)

Communication to Modbus TCP

The AnyBus S ModbusTCP card is connected to Modbus TCP with RJ45 ethernet connector

ModbusTCP is activated when there is any communication on the ModuleBus(DDCS).

If there is no communication on ModuleBus then ModbusTCP will not answer.

Modscan32 Program

Modscan32 program from WinTECH has ben used when testing the module.

Use Modbus Pointtype= 03: Holding register

Connect using Remote TCP/IP Server.

IP address default in module 192.168.1.20 (Change if needed)

Note! DDCS communication must have been running before any values can be read on ModbusTCP.

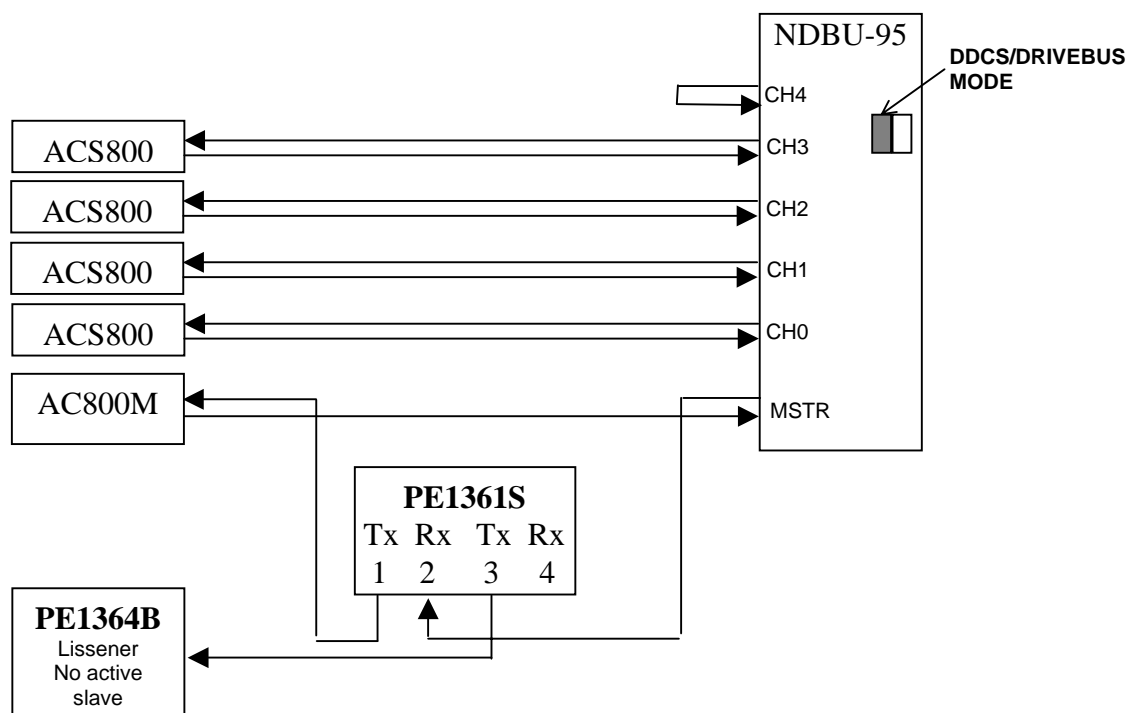
2.3 Connection examples

Ex1 is the recommended solution when PE1364B only act as a listener and not as an active slave.

A splitter PE1361S is connected in return fiber to AC800.

On one free channel on NDBU-95 a patch fiber is connected from Tx to Rx.

This patch make it possible for PE1364B to listen to AC800M transmit data.



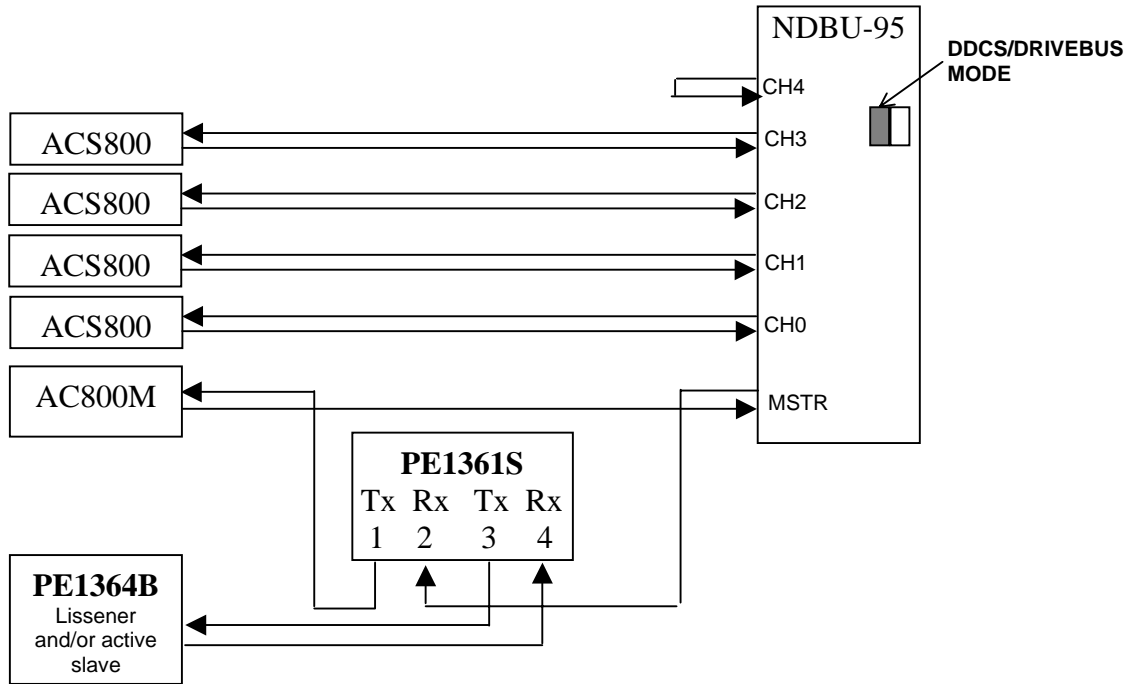
DESCRIPTION

| | | | | |
|---|------------|--------------------------------|------|------------------------|
| Firmware PE1364B Program Ver 20 | From-Från | Date-Datum | Reg. | Page-Sidan 3 |
| | 2010-04-12 | | | |
| Dealt with by-Utfördare Sven-Erik Karlsson | | Telephone-Telefon-nr 187050 | | |

ModulBus(DDCS) – Modbus TCP converter PE1364B

Ex2 is the recommended solution when PE1364B act as a listener and as an active slave. A splitter PE1361S is connected between PE1364B and the other units to enable disconnect of PE1364B without disturbing the bus.

On one free channel on NDBU-95 a patch fiber is connected from Tx to Rx. This patch make it possible for PE1364B to listen to AC800M transmit data.



DESCRIPTION

| | | | | |
|---|------------|--------------------------------|------|------------------------|
| Firmware PE1364B Program Ver 20 | From-Från | Date-Datum | Reg. | Page-Sidan 4 |
| | 2010-04-12 | | | |
| Dealt with by-Utfördare Sven-Erik Karlsson | | Telephone-Telefon-nr 187050 | | |

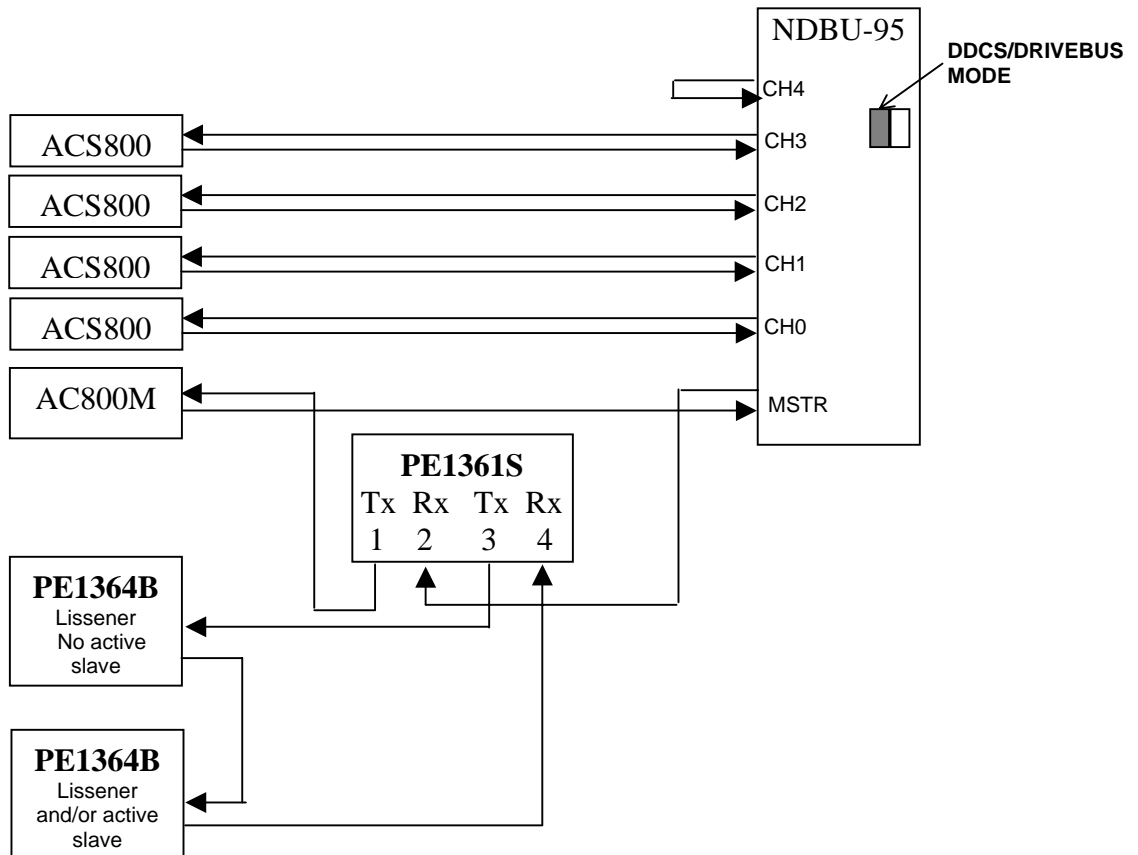
ModulBus(DDCS) – Modbus TCP converter PE1364B

Ex3 is the recommended solution when 2 units PE1364B is used. One act as a listener and one act as Listener and active slave.

A splitter PE1361S is connected between PE1364B and the other units to enable disconnect of PE1364B without disturbing the bus.

On one free channel on NDBU-95 a patch fiber is connected from Tx to Rx.

This patch make it possible for PE1364B to listen to AC800M transmit data.

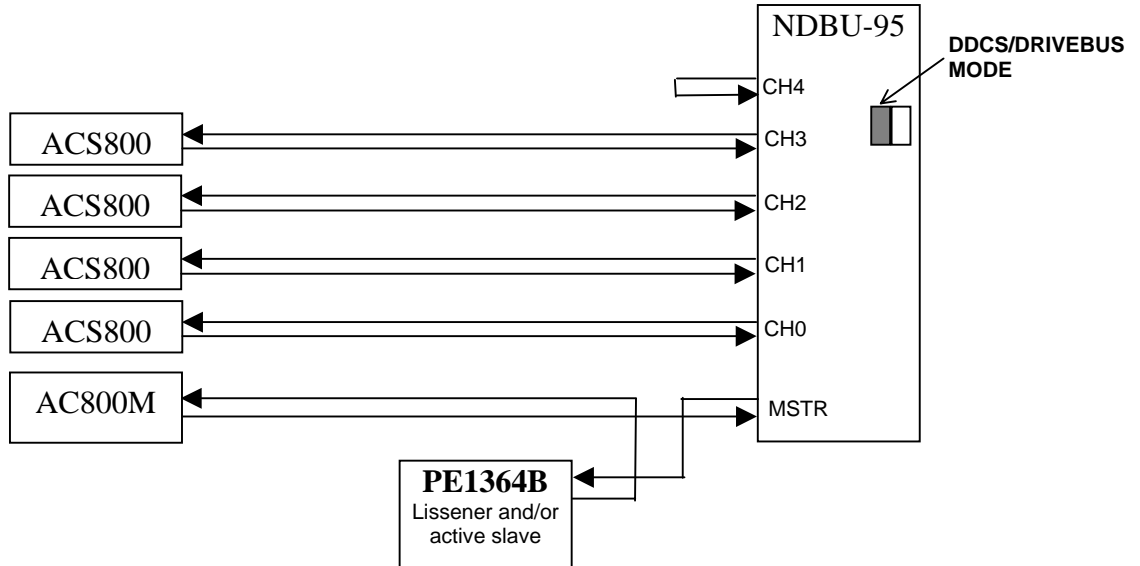


DESCRIPTION

| | | | | |
|------------------------------------|----------------------|------------|------|------------|
| Firmware PE1364B Program Ver 20 | From-Från | Date-Datum | Reg. | Page-Sidan |
| | 2010-04-12 | | | 5 |
| Dealt with by-Utfördare | Telephone-Telefon-nr | | | |
| Sven-Erik Karlsson | 187050 | | | |

ModulBus(DDCS) – Modbus TCP converter PE1364B

Ex4 In this example PE1364B is connected in return fiber from NDBU to AC800.
PE1364B can also be used as an active Slave.
PE1364B can not be disconnected without stopping the bus.

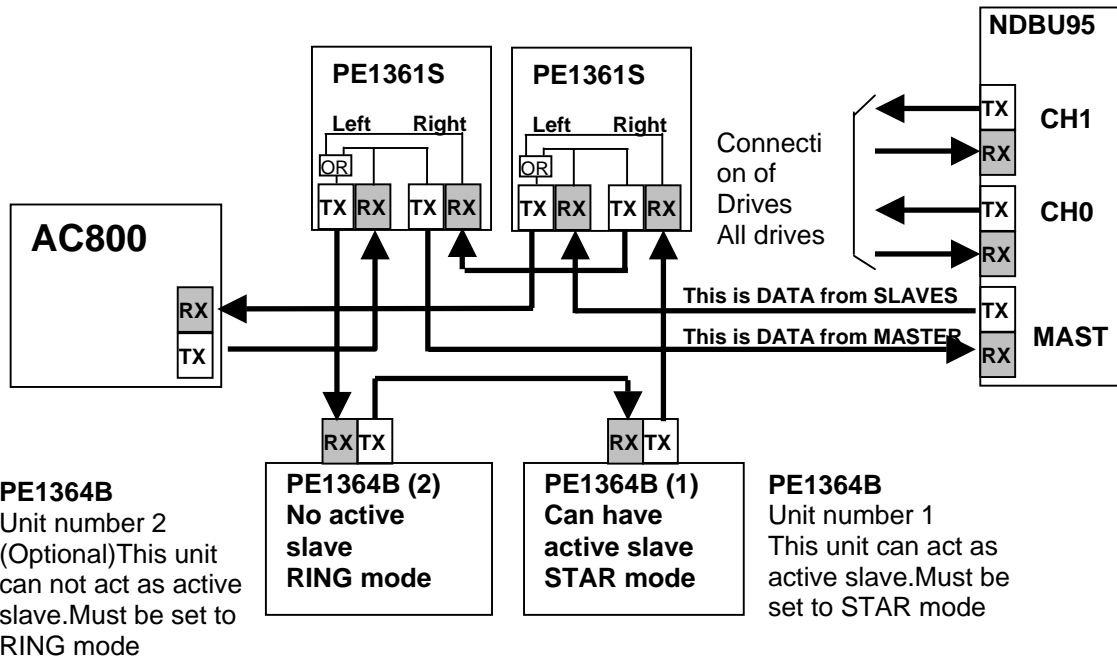


DESCRIPTION

| | | | | |
|------------------------------------|-------------------------|----------------------|------|------------|
| Firmware PE1364B Program Ver 20 | From-Från | Date-Datum | Reg. | Page-Sidan |
| | 2010-04-12 | | | 6 |
| | Dealt with by-Utfördare | Telephone-Telefon-nr | | |
| | Sven-Erik Karlsson | 187050 | | |

ModulBus(DDCS) – Modbus TCP converter PE1364B

Ex5 In this example no channel on NDBU95 are needed for connection of PE1364B. With this connection PE1364B can be removed without disturbing other nodes. No change in drive parameters are needed.



DESCRIPTION

| | | | | |
|------------------------------------|----------------------|------------|------|------------|
| Firmware PE1364B Program Ver 20 | From-Från | Date-Datum | Reg. | Page-Sidan |
| | 2010-04-12 | | | 7 |
| Dealt with by-Utfördare | Telephone-Telefon-nr | | | |
| Sven-Erik Karlsson | | 187050 | | |

ModulBus(DDCS) – Modbus TCP converter PE1364B

Status indications on PE1364B board

A red Led is indication Internal Program run error.

The communication status is indicated on a two-segment display, which will indicate the actual status and error.

| Digit 1 | Digit 2 | Description |
|---------|--|---|
| P | 1-7 | Initiation phases, (The Red Led is flashing during initiation.) 1=Waiting for AnyBus S card to startup 2=Soft Reset of AnyBys S card 3=Waiting for AnuBus S reset 4=Hardware check of AnyBus S card 5=StartInit Order to AnyBus S card 6=Initiation of Buffer size of AnyBus S card 9=End of initiation of AnyBus S card |
| L | 0 1 2 3 4 5 6 7 8 9 A B | Display of IP addr, Subnet mask and Gateway addr This sequence will be displayed at startup of PE1364B Indication of first byte of Actual IP Hex code eg 192, Hex C0 Indication of second byte of Actual IP Hex code eg 168, Hex A8 Indication of third byte of Actual IP Hex code eg 1, Hex 01 Indication of fourth byte of Actual IP Hex code eg 20, Hex 14 Indication of first byte of Actual Subnet maskHex code eg 255, Hex FF Indication of second byte of Actual Subnet maskHex code eg 255, Hex FF Indication of third byte of Actual Subnet maskHex code eg 255, Hex FF Indication of forth byte of Actual Subnet maskHex code eg 0, Hex 00 Indication of first byte of Actual Gateway addr Hex code eg 0 Hex 00 Indication of second byte of Actual Gateway addr Hex code eg 0 Hex 00 Indication of third byte of Actual Gateway addr Hex code eg 0 Hex 00 Indication of fourth byte of Actual Gateway addr Hex code eg 0 Hex 00 |
| X | 0 | X is DDCS communication status X=0 No DDCS communication X=1 Data from DDCS Master received X=2 Data from DDCS slave received X=3 Data from both DDCS slave and master received |
| Y | Z | 11-13 Error at hardware reset 21-23 Error at Hardware test 31-33 Error at Start Init of AnyBus S 41-43 Error at Any Init of Input/output mapping 51-53 Error at Net configuration 71-73 Error at AnyBus end of Initiation 81-83 Error when Save to Flash memory 84-86 Error when read from Flash memory 91-93 Error when writing to extern memory |

2.4 Performance and internal delay

Max PE1363B24 can listen to max 24 slaves and max 7 datasets to/from each slave.

The internal delay is depending DDCS bus load and number of Slaves connected on the bus.

This example has 10 ms cycle time on communication elements and 7 Datasets in each slave.

| Number of Slaves | Delaytime in ms |
|------------------|--|
| 1 | 3 ms Internal delay when moving data from DDCS to ModbusTCP |
| 4 | 7 ms Internal delay when moving data from DDCS to ModbusTCP |
| 8 | 35 ms Internal delay when moving data from DDCS to ModbusTCP |

DESCRIPTION

| | | | | |
|------------------------------------|------------|----------------------|------|------------------------|
| Firmware PE1364B Program Ver 20 | From-Från | Date-Datum | Reg. | Page-Sidan 8 |
| | 2010-04-12 | | | |
| Dealt with by-Utfördare | | Telephone-Telefon-nr | | |
| Sven-Erik Karlsson | | 187050 | | |

ModulBus(DDCS) – Modbus TCP converter PE1364B

2.5 Dip switch setup

| S1 | Normal | FUNCTION |
|----|--------|---|
| 1 | Off | Active node number 1-8 |
| 2 | Off | Active node number 1-8 |
| 3 | Off | Active node number 1-8 |
| 4 | Off | Active node number 1-8 |
| 5 | Off | OFF=Enable Synch signal RS232, ON= Enable Service program |
| 6 | Off | On= New Active slave mapping 32 Integers, Mapping table If ON then max 8 Active nodes can be used (New function) If Off then max 3 active nodes can be used (As before) |
| 7 | Off | On=Swapping high and low byte data |
| 8 | - | Off=Ring, On=Star (NDBU-85) |

| S2 | Normal | FUNCTION |
|----|--------|---|
| 1 | On | Opto Transmitter Intensity 1 0=low,3=high |
| 2 | Off | Opto Transmitter Intensity 2 0=low,3=high |
| 3 | Off | ON =Setting of IP address |
| 4 | Off | CHANGE=Step to next IP setting |
| 5 | Off | |
| 6 | Off | Slave Offset (8): Possible offset 0,8,16,24,32,40,48 or 56. |
| 7 | Off | Slave Offset:(16) Ex. Offset 8. then Set S2.6 to ON and S2.7-8 to OFF |
| 8 | Off | Slave Offset: (32) |

2.5.1 Slave Offset

PE1364B24 can max listen to 24 Slaves. With Slave offset setting it is possible to select the first address for listening. Messages to and from slave with lower address than Offset are ignored.

2.5.2 Active node

PE1364B can act as up to 8 active slaves on DDCS. It is always node (Slave offset) + (1-8) that is selected as active.

S1.1 =on then PE1364B is responding on DDCS Addr. (Slave offset) + 1

S1.2 =on then PE1364B is responding on DDCS Addr. (Slave offset) + 1 and 2

If S1.1 and S1.2 is on then PE1364B is responding on DDCS Addr. 1,2 and 3

If S1.4 is on then PE1364B is responding on DDCS Addr. (Slave offset) + 1,2,3,4,5,6,7 and 8
all other nodes are in listening mode.

2.5.3 Swapping high and low data byte

With this DIP ON the Integer data word high byte is swapped with the low byte before reading and writing to ModBus TCP side.

2.5.4 Opto transmitter intensity

Transmitter can have 4 levels of intensity. Set Both S2.1 and S2.2 to off for minimum intensity.

S2.1 & S2.2 Off Lowest Intensity level 0

S2.1 On Intensity level 1

S2.2 On Intensity level 2

S2.1 & S2.2 On Highest Intensity level 3

DESCRIPTION

| | | | | |
|------------------------------------|----------------------|------------|------|------------|
| Firmware PE1364B Program Ver 20 | From-Från | Date-Datum | Reg. | Page-Sidan |
| | 2010-04-12 | | | 10 |
| Dealt with by-Utfördare | Telephone-Telefon-nr | | | |
| Sven-Erik Karlsson | | 187050 | | |

ModulBus(DDCS) – Modbus TCP converter PE1364B

Setting IP address with DIP switches and save to Flash memory

This procedure will temporary use DIP switches S1 for IP address setting. The SW1 DIP must be set to original value when this procedure is ready.

The default setting for this mode is IP addr 192.168.1.20 Subnet mask 255.255.255.0 Gateway address 0.0.0.0

It is total 12 settings that can be done.

At any time S2.3 can be set to off for saving the inputted values. The default values are used for the steps remaining. This is useful if the Subnet mask and Gateway addr are same as defaults.

Dip SW binary value: SW1.1=on is Binary 1, SW1.2=On Binary 10, Sw1.8=Binary 10000000

Note that ModuleBus (DDCS) must be connected to make Modbus TCP active.

1. Set SW2.3 to ON and restart PE1364B.
2. Wait until text L0 is displayed on the 2 character LED
3. Set DIP SW1 to first byte in IP address e.g. 192 (Bin 11000000, Hex C0)
4. Set SW2.4 to ON
5. Now text L1 is displayed on 2 character LED.
6. Set DIP SW1 to second byte in IP address e.g. 168 (Bin 10101000, Hex A8)
7. Set SW2.4 to Off
8. Now text L2 is displayed on 2 character LED.
9. Set DIP SW1 to third byte in IP address e.g. 1 (Bin 00000001, Hex 01)
10. Set SW2.4 to ON
11. Now text L3 is displayed on 2 character LED.
12. Set DIP SW1 to fourth byte in IP address e.g. 20 (Bin 00010100, Hex 14)
13. Set SW2.4 to Off
14. Now text L4 is displayed on 2 character LED.
15. Set DIP SW1 to first byte in Subnet mask address e.g. 255 (Bin 11111111, Hex FF)
16. Set SW2.4 to ON
17. Now text L5 is displayed on 2 character LED.
18. Set DIP SW1 to second byte in Subnet mask address e.g. 255 (Bin 11111111, Hex FF)
19. Set SW2.4 to Off
20. Now text L6 is displayed on 2 character LED.
21. Set DIP SW1 to third byte in Subnet mask address e.g. 255 (Bin 11111111, Hex FF)
22. Set SW2.4 to ON
23. Now text L7 is displayed on 2 character LED.
24. Set DIP SW1 to fourth byte in IP address e.g. 0 (Bin 00000000, Hex 00)
25. Set SW2.4 to Off
26. Now text L8 is displayed on 2 character LED.
27. Set DIP SW1 to first byte in Gateway address e.g. 0 (Bin 00000000, Hex 00)
28. Set SW2.4 to ON
29. Now text L9 is displayed on 2 character LED.
30. Set DIP SW1 to second byte in Gateway address e.g. 0 (Bin 00000000, Hex 00)
31. Set SW2.4 to Off
32. Now text LA is displayed on 2 character LED.
33. Set DIP SW1 to third byte in Gateway address e.g. 0 (Bin 00000000, Hex 00)
34. Set SW2.4 to ON
35. Now text Lb is displayed on 2 character LED.
36. Set DIP SW1 to fourth byte in Gateway address e.g. 0 (Bin 00000000, Hex 00)
37. Set SW2.4 to Off
38. Now text LC is displayed on 2 character LED
39. Set both SW2.3 and SW2.4 to Off

DESCRIPTION

| | | | | |
|------------------------------------|------------|----------------------|------|------------|
| Firmware PE1364B Program Ver 20 | From-Från | Date-Datum | Reg. | Page-Sidan |
| | 2010-04-12 | | | 11 |
| Dealt with by-Utfördare | | Telephone-Telefon-nr | | |
| Sven-Erik Karlsson | | 187050 | | |

ModulBus(DDCS) – Modbus TCP converter PE1364B

2.7 Signal mapping when Reading data traffic on DDCS bus

AC80 dataset number can start with 10 or 1. PE1364B detect automatic the selected DS numbers.

Note! Before Modbus TCP can get values the DDCS communication must be running.

DDCS Node 1 Signal list ModuleBus – Modbus TCP

| AC80 Data First DS=1 | AC80 Data First DS =10 | Value | Logged data to ModbusTCP → | Modbus TCP data |
|-------------------------|---------------------------|---------------|-------------------------------|-----------------|
| DS1.11 | DS10.11 | -32768..32767 | Data from SLAVE to AC80 | Word addr 40001 |
| DS1.12 | DS10.12 | -32768..32767 | | Word addr 40002 |
| DS1.13 | DS10.13 | -32768..32767 | | Word addr 40003 |
| DS3.11 | DS12.11 | -32768..32767 | | Word addr 40004 |
| DS3.12 | DS12.12 | -32768..32767 | | Word addr 40005 |
| DS3.13 | DS12.13 | -32768..32767 | | Word addr 40006 |
| DS5.11 | DS14.11 | -32768..32767 | | Word addr 40007 |
| DS5.12 | DS14.12 | -32768..32767 | | Word addr 40008 |
| DS5.13 | DS14.13 | -32768..32767 | | Word addr 40009 |
| DS7.11 | DS16.11 | -32768..32767 | | Word addr 40010 |
| DS7.12 | DS16.12 | -32768..32767 | | Word addr 40011 |
| DS7.13 | DS16.13 | -32768..32767 | | Word addr 40012 |
| DS9.11 | DS18.11 | -32768..32767 | | Word addr 40013 |
| DS9.12 | DS18.12 | -32768..32767 | | Word addr 40014 |
| DS9.13 | DS18.13 | -32768..32767 | | Word addr 40015 |
| DS11.11 | DS20.11 | -32768..32767 | | Word addr 40016 |
| DS11.12 | DS20.12 | -32768..32767 | | Word addr 40017 |
| DS11.13 | DS20.13 | -32768..32767 | | Word addr 40018 |
| DS13.11 | DS22.11 | -32768..32767 | | Word addr 40019 |
| DS13.12 | DS22.12 | -32768..32767 | | Word addr 40020 |
| DS13.13 | DS22.13 | -32768..32767 | | Word addr 40021 |
| DS15.11 | DS24.11 | -32768..32767 | | Word addr 40022 |
| DS15.12 | DS24.12 | -32768..32767 | | Word addr 40023 |
| DS15.13 | DS24.13 | -32768..32767 | | Word addr 40024 |
| DS1.O1 | DS10.O1 | -32768..32767 | Data from AC80 to SLAVE | Word addr 40025 |
| DS1.O2 | DS10.O2 | -32768..32767 | | Word addr 40026 |
| DS1.O3 | DS10.O3 | -32768..32767 | | Word addr 40027 |
| DS3.O1 | DS12.O1 | -32768..32767 | | Word addr 40028 |
| DS3.O2 | DS12.O2 | -32768..32767 | | Word addr 40029 |
| DS3.O3 | DS12.O3 | -32768..32767 | | Word addr 40030 |
| DS5.O1 | DS14.O1 | -32768..32767 | | Word addr 40031 |
| DS5.O2 | DS14.O2 | -32768..32767 | | Word addr 40032 |
| DS5.O3 | DS14.O3 | -32768..32767 | | Word addr 40033 |
| DS7.O1 | DS16.O1 | -32768..32767 | | Word addr 40034 |
| DS7.O2 | DS16.O2 | -32768..32767 | | Word addr 40035 |
| DS7.O3 | DS16.O3 | -32768..32767 | | Word addr 40036 |
| DS9.O1 | DS18.O1 | -32768..32767 | | Word addr 40037 |
| DS9.O2 | DS18.O2 | -32768..32767 | | Word addr 40038 |
| DS9.O3 | DS18.O3 | -32768..32767 | | Word addr 40039 |
| DS11.O1 | DS20.O1 | -32768..32767 | | Word addr 40040 |
| DS11.O2 | DS20.O2 | -32768..32767 | | Word addr 40041 |
| DS11.O3 | DS20.O3 | -32768..32767 | | Word addr 40042 |
| DS13.O1 | DS22.O1 | -32768..32767 | | Word addr 40043 |
| DS13.O2 | DS22.O2 | -32768..32767 | | Word addr 40044 |
| DS13.O3 | DS22.O3 | -32768..32767 | | Word addr 40045 |
| DS15.O1 | DS24.O1 | -32768..32767 | | Word addr 40046 |
| DS15.O2 | DS24.O2 | -32768..32767 | | Word addr 40047 |
| DS15.O3 | DS24.O3 | -32768..32767 | | Word addr 40048 |

DESCRIPTION

| | | | | |
|------------------------------------|------------|----------------------|------|------------|
| Firmware PE1364B Program Ver 20 | From-Från | Date-Datum | Reg. | Page-Sidan |
| | 2010-04-12 | | | 12 |
| Dealt with by-Utfördare | | Telephone-Telefon-nr | | |
| Sven-Erik Karlsson | | 187050 | | |

ModulBus(DDCS) – Modbus TCP converter PE1364B

DDCS Node 2 Signal list ModuleBus – Modbus TCP

| AC80 Data First DS=1 | AC80 Data First DS =10 | Value | Logged data to ModbusTCP → | Modbus TCP data |
|-------------------------|---------------------------|---------------|-------------------------------|-----------------|
| DS1.I1 | DS10.I1 | -32768..32767 | Data from SLAVE to AC80 | Word addr 40049 |
| DS1.I2 | DS10.I2 | -32768..32767 | | Word addr 40050 |
| DS1.I3 | DS10.I3 | -32768..32767 | | Word addr 40051 |
| DS3.I1 | DS12.I1 | -32768..32767 | | Word addr 40052 |
| DS3.I2 | DS12.I2 | -32768..32767 | | Word addr 40053 |
| DS3.I3 | DS12.I3 | -32768..32767 | | Word addr 40054 |
| DS5.I1 | DS14.I1 | -32768..32767 | | Word addr 40055 |
| DS5.I2 | DS14.I2 | -32768..32767 | | Word addr 40056 |
| DS5.I3 | DS14.I3 | -32768..32767 | | Word addr 40057 |
| DS7.I1 | DS16.I1 | -32768..32767 | | Word addr 40058 |
| DS7.I2 | DS16.I2 | -32768..32767 | | Word addr 40059 |
| DS7.I3 | DS16.I3 | -32768..32767 | | Word addr 40060 |
| DS9.I1 | DS18.I1 | -32768..32767 | | Word addr 40061 |
| DS9.I2 | DS18.I2 | -32768..32767 | | Word addr 40062 |
| DS9.I3 | DS18.I3 | -32768..32767 | | Word addr 40063 |
| DS11.I1 | DS20.I1 | -32768..32767 | | Word addr 40064 |
| DS11.I2 | DS20.I2 | -32768..32767 | | Word addr 40065 |
| DS11.I3 | DS20.I3 | -32768..32767 | | Word addr 40066 |
| DS13.I1 | DS22.I1 | -32768..32767 | | Word addr 40067 |
| DS13.I2 | DS22.I2 | -32768..32767 | | Word addr 40068 |
| DS13.I3 | DS22.I3 | -32768..32767 | | Word addr 40069 |
| DS15.I1 | DS24.I1 | -32768..32767 | | Word addr 40070 |
| DS15.I2 | DS24.I2 | -32768..32767 | | Word addr 40071 |
| DS15.I3 | DS24.I3 | -32768..32767 | | Word addr 40072 |
| DS1.O1 | DS10.O1 | -32768..32767 | Data from AC80 to SLAVE | Word addr 40073 |
| DS1.O2 | DS10.O2 | -32768..32767 | | Word addr 40074 |
| DS1.O3 | DS10.O3 | -32768..32767 | | Word addr 40075 |
| DS3.O1 | DS12.O1 | -32768..32767 | | Word addr 40076 |
| DS3.O2 | DS12.O2 | -32768..32767 | | Word addr 40077 |
| DS3.O3 | DS12.O3 | -32768..32767 | | Word addr 40078 |
| DS5.O1 | DS14.O1 | -32768..32767 | | Word addr 40079 |
| DS5.O2 | DS14.O2 | -32768..32767 | | Word addr 40080 |
| DS5.O3 | DS14.O3 | -32768..32767 | | Word addr 40081 |
| DS7.O1 | DS16.O1 | -32768..32767 | | Word addr 40082 |
| DS7.O2 | DS16.O2 | -32768..32767 | | Word addr 40083 |
| DS7.O3 | DS16.O3 | -32768..32767 | | Word addr 40084 |
| DS9.O1 | DS18.O1 | -32768..32767 | | Word addr 40085 |
| DS9.O2 | DS18.O2 | -32768..32767 | | Word addr 40086 |
| DS9.O3 | DS18.O3 | -32768..32767 | | Word addr 40087 |
| DS11.O1 | DS20.O1 | -32768..32767 | | Word addr 40088 |
| DS11.O2 | DS20.O2 | -32768..32767 | | Word addr 40089 |
| DS11.O3 | DS20.O3 | -32768..32767 | | Word addr 40090 |
| DS13.O1 | DS22.O1 | -32768..32767 | | Word addr 40091 |
| DS13.O2 | DS22.O2 | -32768..32767 | | Word addr 40092 |
| DS13.O3 | DS22.O3 | -32768..32767 | | Word addr 40093 |
| DS15.O1 | DS24.O1 | -32768..32767 | | Word addr 40094 |
| DS15.O2 | DS24.O2 | -32768..32767 | | Word addr 40095 |
| DS15.O3 | DS24.O3 | -32768..32767 | | Word addr 40096 |

DESCRIPTION

| | | | | |
|---|------------|----------------------|------|------------|
| Firmware PE1364B Program Ver 20 | From-Från | Date-Datum | Reg. | Page-Sidan |
| | 2010-04-12 | | | 13 |
| Dealt with by-Utfördare | | Telephone-Telefon-nr | | |
| Sven-Erik Karlsson | | 187050 | | |

ModulBus(DDCS) – Modbus TCP converter PE1364B

DDCS Node 3 Signal list ModuleBus – Modbus TCP

| AC80 Data First DS=1 | AC80 Data First DS =10 | Value | Logged data to ModbusTCP → | Modbus TCP data |
|-------------------------|---------------------------|---------------|-------------------------------|-----------------|
| DS1.I1 | DS10.I1 | -32768..32767 | Data from SLAVE to AC80 | Word addr 40097 |
| DS1.I2 | DS10.I2 | -32768..32767 | | Word addr 40098 |
| DS1.I3 | DS10.I3 | -32768..32767 | | Word addr 40099 |
| DS3.I1 | DS12.I1 | -32768..32767 | | Word addr 40100 |
| DS3.I2 | DS12.I2 | -32768..32767 | | Word addr 40101 |
| DS3.I3 | DS12.I3 | -32768..32767 | | Word addr 40102 |
| DS5.I1 | DS14.I1 | -32768..32767 | | Word addr 40103 |
| DS5.I2 | DS14.I2 | -32768..32767 | | Word addr 40104 |
| DS5.I3 | DS14.I3 | -32768..32767 | | Word addr 40105 |
| DS7.I1 | DS16.I1 | -32768..32767 | | Word addr 40106 |
| DS7.I2 | DS16.I2 | -32768..32767 | | Word addr 40107 |
| DS7.I3 | DS16.I3 | -32768..32767 | | Word addr 40108 |
| DS9.I1 | DS18.I1 | -32768..32767 | | Word addr 40109 |
| DS9.I2 | DS18.I2 | -32768..32767 | | Word addr 40110 |
| DS9.I3 | DS18.I3 | -32768..32767 | | Word addr 40111 |
| DS11.I1 | DS20.I1 | -32768..32767 | | Word addr 40112 |
| DS11.I2 | DS20.I2 | -32768..32767 | | Word addr 40113 |
| DS11.I3 | DS20.I3 | -32768..32767 | | Word addr 40114 |
| DS13.I1 | DS22.I1 | -32768..32767 | | Word addr 40115 |
| DS13.I2 | DS22.I2 | -32768..32767 | | Word addr 40116 |
| DS13.I3 | DS22.I3 | -32768..32767 | | Word addr 40117 |
| DS15.I1 | DS24.I1 | -32768..32767 | | Word addr 40118 |
| DS15.I2 | DS24.I2 | -32768..32767 | | Word addr 40119 |
| DS15.I3 | DS24.I3 | -32768..32767 | | Word addr 40120 |
| DS1.O1 | DS10.O1 | -32768..32767 | Data from AC80 to SLAVE | Word addr 40121 |
| DS1.O2 | DS10.O2 | -32768..32767 | | Word addr 40122 |
| DS1.O3 | DS10.O3 | -32768..32767 | | Word addr 40123 |
| DS3.O1 | DS12.O1 | -32768..32767 | | Word addr 40124 |
| DS3.O2 | DS12.O2 | -32768..32767 | | Word addr 40125 |
| DS3.O3 | DS12.O3 | -32768..32767 | | Word addr 40126 |
| DS5.O1 | DS14.O1 | -32768..32767 | | Word addr 40127 |
| DS5.O2 | DS14.O2 | -32768..32767 | | Word addr 40128 |
| DS5.O3 | DS14.O3 | -32768..32767 | | Word addr 40129 |
| DS7.O1 | DS16.O1 | -32768..32767 | | Word addr 40130 |
| DS7.O2 | DS16.O2 | -32768..32767 | | Word addr 40131 |
| DS7.O3 | DS16.O3 | -32768..32767 | | Word addr 40132 |
| DS9.O1 | DS18.O1 | -32768..32767 | | Word addr 40133 |
| DS9.O2 | DS18.O2 | -32768..32767 | | Word addr 40134 |
| DS9.O3 | DS18.O3 | -32768..32767 | | Word addr 40135 |
| DS11.O1 | DS20.O1 | -32768..32767 | | Word addr 40136 |
| DS11.O2 | DS20.O2 | -32768..32767 | | Word addr 40137 |
| DS11.O3 | DS20.O3 | -32768..32767 | | Word addr 40138 |
| DS13.O1 | DS22.O1 | -32768..32767 | | Word addr 40139 |
| DS13.O2 | DS22.O2 | -32768..32767 | | Word addr 40140 |
| DS13.O3 | DS22.O3 | -32768..32767 | | Word addr 40141 |
| DS15.O1 | DS24.O1 | -32768..32767 | | Word addr 40142 |
| DS15.O2 | DS24.O2 | -32768..32767 | | Word addr 40143 |
| DS15.O3 | DS24.O3 | -32768..32767 | | Word addr 40144 |

DESCRIPTION

| | | | | |
|---|------------|----------------------|------|------------|
| Firmware PE1364B Program Ver 20 | From-Från | Date-Datum | Reg. | Page-Sidan |
| | 2010-04-12 | | | 14 |
| Dealt with by-Utfördare | | Telephone-Telefon-nr | | |
| Sven-Erik Karlsson | | 187050 | | |

ModulBus(DDCS) – Modbus TCP converter PE1364B

DDCS Node 4 Signal list ModuleBus – Modbus TCP

| AC80 Data First DS=1 | AC80 Data First DS =10 | Value | Logged data to ModbusTCP → | Modbus TCP data |
|-------------------------|---------------------------|---------------|-------------------------------|-----------------|
| DS1.I1 | DS10.I1 | -32768..32767 | Data from SLAVE to AC80 | Word addr 40145 |
| DS1.I2 | DS10.I2 | -32768..32767 | | Word addr 40146 |
| DS1.I3 | DS10.I3 | -32768..32767 | | Word addr 40147 |
| DS3.I1 | DS12.I1 | -32768..32767 | | Word addr 40148 |
| DS3.I2 | DS12.I2 | -32768..32767 | | Word addr 40149 |
| DS3.I3 | DS12.I3 | -32768..32767 | | Word addr 40150 |
| DS5.I1 | DS14.I1 | -32768..32767 | | Word addr 40151 |
| DS5.I2 | DS14.I2 | -32768..32767 | | Word addr 40152 |
| DS5.I3 | DS14.I3 | -32768..32767 | | Word addr 40153 |
| DS7.I1 | DS16.I1 | -32768..32767 | | Word addr 40154 |
| DS7.I2 | DS16.I2 | -32768..32767 | | Word addr 40155 |
| DS7.I3 | DS16.I3 | -32768..32767 | | Word addr 40156 |
| DS9.I1 | DS18.I1 | -32768..32767 | | Word addr 40157 |
| DS9.I2 | DS18.I2 | -32768..32767 | | Word addr 40158 |
| DS9.I3 | DS18.I3 | -32768..32767 | | Word addr 40159 |
| DS11.I1 | DS20.I1 | -32768..32767 | | Word addr 40160 |
| DS11.I2 | DS20.I2 | -32768..32767 | | Word addr 40161 |
| DS11.I3 | DS20.I3 | -32768..32767 | | Word addr 40162 |
| DS13.I1 | DS22.I1 | -32768..32767 | | Word addr 40163 |
| DS13.I2 | DS22.I2 | -32768..32767 | | Word addr 40164 |
| DS13.I3 | DS22.I3 | -32768..32767 | | Word addr 40165 |
| DS15.I1 | DS24.I1 | -32768..32767 | | Word addr 40166 |
| DS15.I2 | DS24.I2 | -32768..32767 | | Word addr 40167 |
| DS15.I3 | DS24.I3 | -32768..32767 | | Word addr 40168 |
| DS1.O1 | DS10.O1 | -32768..32767 | Data from AC80 to SLAVE | Word addr 40169 |
| DS1.O2 | DS10.O2 | -32768..32767 | | Word addr 40170 |
| DS1.O3 | DS10.O3 | -32768..32767 | | Word addr 40171 |
| DS3.O1 | DS12.O1 | -32768..32767 | | Word addr 40172 |
| DS3.O2 | DS12.O2 | -32768..32767 | | Word addr 40173 |
| DS3.O3 | DS12.O3 | -32768..32767 | | Word addr 40174 |
| DS5.O1 | DS14.O1 | -32768..32767 | | Word addr 40175 |
| DS5.O2 | DS14.O2 | -32768..32767 | | Word addr 40176 |
| DS5.O3 | DS14.O3 | -32768..32767 | | Word addr 40177 |
| DS7.O1 | DS16.O1 | -32768..32767 | | Word addr 40178 |
| DS7.O2 | DS16.O2 | -32768..32767 | | Word addr 40179 |
| DS7.O3 | DS16.O3 | -32768..32767 | | Word addr 40180 |
| DS9.O1 | DS18.O1 | -32768..32767 | | Word addr 40181 |
| DS9.O2 | DS18.O2 | -32768..32767 | | Word addr 40182 |
| DS9.O3 | DS18.O3 | -32768..32767 | | Word addr 40183 |
| DS11.O1 | DS20.O1 | -32768..32767 | | Word addr 40184 |
| DS11.O2 | DS20.O2 | -32768..32767 | | Word addr 40185 |
| DS11.O3 | DS20.O3 | -32768..32767 | | Word addr 40186 |
| DS13.O1 | DS22.O1 | -32768..32767 | | Word addr 40187 |
| DS13.O2 | DS22.O2 | -32768..32767 | | Word addr 40188 |
| DS13.O3 | DS22.O3 | -32768..32767 | | Word addr 40189 |
| DS15.O1 | DS24.O1 | -32768..32767 | | Word addr 40190 |
| DS15.O2 | DS24.O2 | -32768..32767 | | Word addr 40191 |
| DS15.O3 | DS24.O3 | -32768..32767 | | Word addr 40192 |

DESCRIPTION

| | | | | |
|---|------------|----------------------|------|------------|
| Firmware PE1364B Program Ver 20 | From-Från | Date-Datum | Reg. | Page-Sidan |
| | 2010-04-12 | | | 15 |
| Dealt with by-Utfördare | | Telephone-Telefon-nr | | |
| Sven-Erik Karlsson | | 187050 | | |

ModulBus(DDCS) – Modbus TCP converter PE1364B

DDCS Node 5 Signal list ModuleBus – Modbus TCP

| AC80 Data First DS=1 | AC80 Data First DS =10 | Value | Logged data to ModbusTCP → | Modbus TCP data |
|-------------------------|---------------------------|---------------|-------------------------------|-----------------|
| DS1.I1 | DS10.I1 | -32768..32767 | Data from SLAVE to AC80 | Word addr 40193 |
| DS1.I2 | DS10.I2 | -32768..32767 | | Word addr 40194 |
| DS1.I3 | DS10.I3 | -32768..32767 | | Word addr 40195 |
| DS3.I1 | DS12.I1 | -32768..32767 | | Word addr 40196 |
| DS3.I2 | DS12.I2 | -32768..32767 | | Word addr 40197 |
| DS3.I3 | DS12.I3 | -32768..32767 | | Word addr 40198 |
| DS5.I1 | DS14.I1 | -32768..32767 | | Word addr 40199 |
| DS5.I2 | DS14.I2 | -32768..32767 | | Word addr 40200 |
| DS5.I3 | DS14.I3 | -32768..32767 | | Word addr 40201 |
| DS7.I1 | DS16.I1 | -32768..32767 | | Word addr 40202 |
| DS7.I2 | DS16.I2 | -32768..32767 | | Word addr 40203 |
| DS7.I3 | DS16.I3 | -32768..32767 | | Word addr 40204 |
| DS9.I1 | DS18.I1 | -32768..32767 | | Word addr 40205 |
| DS9.I2 | DS18.I2 | -32768..32767 | | Word addr 40206 |
| DS9.I3 | DS18.I3 | -32768..32767 | | Word addr 40207 |
| DS11.I1 | DS20.I1 | -32768..32767 | | Word addr 40208 |
| DS11.I2 | DS20.I2 | -32768..32767 | | Word addr 40209 |
| DS11.I3 | DS20.I3 | -32768..32767 | | Word addr 40210 |
| DS13.I1 | DS22.I1 | -32768..32767 | | Word addr 40211 |
| DS13.I2 | DS22.I2 | -32768..32767 | | Word addr 40212 |
| DS13.I3 | DS22.I3 | -32768..32767 | | Word addr 40213 |
| DS15.I1 | DS24.I1 | -32768..32767 | | Word addr 40214 |
| DS15.I2 | DS24.I2 | -32768..32767 | | Word addr 40215 |
| DS15.I3 | DS24.I3 | -32768..32767 | | Word addr 40216 |
| DS1.O1 | DS10.O1 | -32768..32767 | Data from AC80 to SLAVE | Word addr 40217 |
| DS1.O2 | DS10.O2 | -32768..32767 | | Word addr 40218 |
| DS1.O3 | DS10.O3 | -32768..32767 | | Word addr 40219 |
| DS3.O1 | DS12.O1 | -32768..32767 | | Word addr 40220 |
| DS3.O2 | DS12.O2 | -32768..32767 | | Word addr 40221 |
| DS3.O3 | DS12.O3 | -32768..32767 | | Word addr 40222 |
| DS5.O1 | DS14.O1 | -32768..32767 | | Word addr 40223 |
| DS5.O2 | DS14.O2 | -32768..32767 | | Word addr 40224 |
| DS5.O3 | DS14.O3 | -32768..32767 | | Word addr 40225 |
| DS7.O1 | DS16.O1 | -32768..32767 | | Word addr 40226 |
| DS7.O2 | DS16.O2 | -32768..32767 | | Word addr 40227 |
| DS7.O3 | DS16.O3 | -32768..32767 | | Word addr 40228 |
| DS9.O1 | DS18.O1 | -32768..32767 | | Word addr 40229 |
| DS9.O2 | DS18.O2 | -32768..32767 | | Word addr 40230 |
| DS9.O3 | DS18.O3 | -32768..32767 | | Word addr 40231 |
| DS11.O1 | DS20.O1 | -32768..32767 | | Word addr 40232 |
| DS11.O2 | DS20.O2 | -32768..32767 | | Word addr 40233 |
| DS11.O3 | DS20.O3 | -32768..32767 | | Word addr 40234 |
| DS13.O1 | DS22.O1 | -32768..32767 | | Word addr 40235 |
| DS13.O2 | DS22.O2 | -32768..32767 | | Word addr 40236 |
| DS13.O3 | DS22.O3 | -32768..32767 | | Word addr 40237 |
| DS15.O1 | DS24.O1 | -32768..32767 | | Word addr 40238 |
| DS15.O2 | DS24.O2 | -32768..32767 | | Word addr 40239 |
| DS15.O3 | DS24.O3 | -32768..32767 | | Word addr 40240 |

DESCRIPTION

| | | | | |
|---|------------|----------------------|------|------------|
| Firmware PE1364B Program Ver 20 | From-Från | Date-Datum | Reg. | Page-Sidan |
| | 2010-04-12 | | | 16 |
| Dealt with by-Utfärdare | | Telephone-Telefon-nr | | |
| Sven-Erik Karlsson | | 187050 | | |

ModulBus(DDCS) – Modbus TCP converter PE1364B

DDCS Node 6 Signal list ModuleBus – Modbus TCP

| AC80 Data First DS=1 | AC80 Data First DS =10 | Value | Logged data to ModbusTCP → | Modbus TCP data |
|-------------------------|---------------------------|---------------|-------------------------------|-----------------|
| DS1.I1 | DS10.I1 | -32768..32767 | Data from SLAVE to AC80 | Word addr 40241 |
| DS1.I2 | DS10.I2 | -32768..32767 | | Word addr 40242 |
| DS1.I3 | DS10.I3 | -32768..32767 | | Word addr 40243 |
| DS3.I1 | DS12.I1 | -32768..32767 | | Word addr 40244 |
| DS3.I2 | DS12.I2 | -32768..32767 | | Word addr 40245 |
| DS3.I3 | DS12.I3 | -32768..32767 | | Word addr 40246 |
| DS5.I1 | DS14.I1 | -32768..32767 | | Word addr 40247 |
| DS5.I2 | DS14.I2 | -32768..32767 | | Word addr 40248 |
| DS5.I3 | DS14.I3 | -32768..32767 | | Word addr 40249 |
| DS7.I1 | DS16.I1 | -32768..32767 | | Word addr 40250 |
| DS7.I2 | DS16.I2 | -32768..32767 | | Word addr 40251 |
| DS7.I3 | DS16.I3 | -32768..32767 | | Word addr 40252 |
| DS9.I1 | DS18.I1 | -32768..32767 | | Word addr 40253 |
| DS9.I2 | DS18.I2 | -32768..32767 | | Word addr 40254 |
| DS9.I3 | DS18.I3 | -32768..32767 | | Word addr 40255 |
| DS11.I1 | DS20.I1 | -32768..32767 | | Word addr 40256 |
| DS11.I2 | DS20.I2 | -32768..32767 | | Word addr 40257 |
| DS11.I3 | DS20.I3 | -32768..32767 | | Word addr 40258 |
| DS13.I1 | DS22.I1 | -32768..32767 | | Word addr 40259 |
| DS13.I2 | DS22.I2 | -32768..32767 | | Word addr 40260 |
| DS13.I3 | DS22.I3 | -32768..32767 | | Word addr 40261 |
| DS15.I1 | DS24.I1 | -32768..32767 | | Word addr 40262 |
| DS15.I2 | DS24.I2 | -32768..32767 | | Word addr 40263 |
| DS15.I3 | DS24.I3 | -32768..32767 | | Word addr 40264 |
| DS1.O1 | DS10.O1 | -32768..32767 | Data from AC80 to SLAVE | Word addr 40265 |
| DS1.O2 | DS10.O2 | -32768..32767 | | Word addr 40266 |
| DS1.O3 | DS10.O3 | -32768..32767 | | Word addr 40267 |
| DS3.O1 | DS12.O1 | -32768..32767 | | Word addr 40268 |
| DS3.O2 | DS12.O2 | -32768..32767 | | Word addr 40269 |
| DS3.O3 | DS12.O3 | -32768..32767 | | Word addr 40270 |
| DS5.O1 | DS14.O1 | -32768..32767 | | Word addr 40271 |
| DS5.O2 | DS14.O2 | -32768..32767 | | Word addr 40272 |
| DS5.O3 | DS14.O3 | -32768..32767 | | Word addr 40273 |
| DS7.O1 | DS16.O1 | -32768..32767 | | Word addr 40274 |
| DS7.O2 | DS16.O2 | -32768..32767 | | Word addr 40275 |
| DS7.O3 | DS16.O3 | -32768..32767 | | Word addr 40276 |
| DS9.O1 | DS18.O1 | -32768..32767 | | Word addr 40277 |
| DS9.O2 | DS18.O2 | -32768..32767 | | Word addr 40278 |
| DS9.O3 | DS18.O3 | -32768..32767 | | Word addr 40279 |
| DS11.O1 | DS20.O1 | -32768..32767 | | Word addr 40280 |
| DS11.O2 | DS20.O2 | -32768..32767 | | Word addr 40281 |
| DS11.O3 | DS20.O3 | -32768..32767 | | Word addr 40282 |
| DS13.O1 | DS22.O1 | -32768..32767 | | Word addr 40283 |
| DS13.O2 | DS22.O2 | -32768..32767 | | Word addr 40284 |
| DS13.O3 | DS22.O3 | -32768..32767 | | Word addr 40285 |
| DS15.O1 | DS24.O1 | -32768..32767 | | Word addr 40286 |
| DS15.O2 | DS24.O2 | -32768..32767 | | Word addr 40287 |
| DS15.O3 | DS24.O3 | -32768..32767 | | Word addr 40288 |

DESCRIPTION

| | | | | |
|---|------------|----------------------|------|------------|
| Firmware PE1364B Program Ver 20 | From-Från | Date-Datum | Reg. | Page-Sidan |
| | 2010-04-12 | | | 17 |
| Dealt with by-Utfördare | | Telephone-Telefon-nr | | |
| Sven-Erik Karlsson | | 187050 | | |

ModulBus(DDCS) – Modbus TCP converter PE1364B

DDCS Node 7 Signal list ModuleBus – Modbus TCP

| AC80 Data First DS=1 | AC80 Data First DS =10 | Value | Logged data to ModbusTCP → | Modbus TCP data |
|-------------------------|---------------------------|---------------|-------------------------------|-----------------|
| DS1.I1 | DS10.I1 | -32768..32767 | Data from SLAVE to AC80 | Word addr 40289 |
| DS1.I2 | DS10.I2 | -32768..32767 | | Word addr 40290 |
| DS1.I3 | DS10.I3 | -32768..32767 | | Word addr 40291 |
| DS3.I1 | DS12.I1 | -32768..32767 | | Word addr 40292 |
| DS3.I2 | DS12.I2 | -32768..32767 | | Word addr 40293 |
| DS3.I3 | DS12.I3 | -32768..32767 | | Word addr 40294 |
| DS5.I1 | DS14.I1 | -32768..32767 | | Word addr 40295 |
| DS5.I2 | DS14.I2 | -32768..32767 | | Word addr 40296 |
| DS5.I3 | DS14.I3 | -32768..32767 | | Word addr 40297 |
| DS7.I1 | DS16.I1 | -32768..32767 | | Word addr 40298 |
| DS7.I2 | DS16.I2 | -32768..32767 | | Word addr 40299 |
| DS7.I3 | DS16.I3 | -32768..32767 | | Word addr 40300 |
| DS9.I1 | DS18.I1 | -32768..32767 | | Word addr 40301 |
| DS9.I2 | DS18.I2 | -32768..32767 | | Word addr 40302 |
| DS9.I3 | DS18.I3 | -32768..32767 | | Word addr 40303 |
| DS11.I1 | DS20.I1 | -32768..32767 | | Word addr 40304 |
| DS11.I2 | DS20.I2 | -32768..32767 | | Word addr 40305 |
| DS11.I3 | DS20.I3 | -32768..32767 | | Word addr 40306 |
| DS13.I1 | DS22.I1 | -32768..32767 | | Word addr 40307 |
| DS13.I2 | DS22.I2 | -32768..32767 | | Word addr 40308 |
| DS13.I3 | DS22.I3 | -32768..32767 | | Word addr 40309 |
| DS15.I1 | DS24.I1 | -32768..32767 | | Word addr 40310 |
| DS15.I2 | DS24.I2 | -32768..32767 | | Word addr 40311 |
| DS15.I3 | DS24.I3 | -32768..32767 | | Word addr 40312 |
| DS1.O1 | DS10.O1 | -32768..32767 | Data from AC80 to SLAVE | Word addr 40313 |
| DS1.O2 | DS10.O2 | -32768..32767 | | Word addr 40314 |
| DS1.O3 | DS10.O3 | -32768..32767 | | Word addr 40315 |
| DS3.O1 | DS12.O1 | -32768..32767 | | Word addr 40316 |
| DS3.O2 | DS12.O2 | -32768..32767 | | Word addr 40317 |
| DS3.O3 | DS12.O3 | -32768..32767 | | Word addr 40318 |
| DS5.O1 | DS14.O1 | -32768..32767 | | Word addr 40319 |
| DS5.O2 | DS14.O2 | -32768..32767 | | Word addr 40320 |
| DS5.O3 | DS14.O3 | -32768..32767 | | Word addr 40321 |
| DS7.O1 | DS16.O1 | -32768..32767 | | Word addr 40322 |
| DS7.O2 | DS16.O2 | -32768..32767 | | Word addr 40323 |
| DS7.O3 | DS16.O3 | -32768..32767 | | Word addr 40324 |
| DS9.O1 | DS18.O1 | -32768..32767 | | Word addr 40325 |
| DS9.O2 | DS18.O2 | -32768..32767 | | Word addr 40326 |
| DS9.O3 | DS18.O3 | -32768..32767 | | Word addr 40327 |
| DS11.O1 | DS20.O1 | -32768..32767 | | Word addr 40328 |
| DS11.O2 | DS20.O2 | -32768..32767 | | Word addr 40329 |
| DS11.O3 | DS20.O3 | -32768..32767 | | Word addr 40330 |
| DS13.O1 | DS22.O1 | -32768..32767 | | Word addr 40331 |
| DS13.O2 | DS22.O2 | -32768..32767 | | Word addr 40332 |
| DS13.O3 | DS22.O3 | -32768..32767 | | Word addr 40333 |
| DS15.O1 | DS24.O1 | -32768..32767 | | Word addr 40334 |
| DS15.O2 | DS24.O2 | -32768..32767 | | Word addr 40335 |
| DS15.O3 | DS24.O3 | -32768..32767 | | Word addr 40336 |

DESCRIPTION

| | | | | |
|---|------------|----------------------|------|------------|
| Firmware PE1364B Program Ver 20 | From-Från | Date-Datum | Reg. | Page-Sidan |
| | 2010-04-12 | | | 18 |
| Dealt with by-Utfördare | | Telephone-Telefon-nr | | |
| Sven-Erik Karlsson | | 187050 | | |

ModulBus(DDCS) – Modbus TCP converter PE1364B

DDCS Node 8 Signal list ModuleBus – Modbus TCP

| AC80 Data First DS=1 | AC80 Data First DS =10 | Value | Logged data to ModbusTCP → | Modbus TCP data |
|-------------------------|---------------------------|---------------|-------------------------------|-----------------|
| DS1.I1 | DS10.I1 | -32768..32767 | Data from SLAVE to AC80 | Word addr 40337 |
| DS1.I2 | DS10.I2 | -32768..32767 | | Word addr 40338 |
| DS1.I3 | DS10.I3 | -32768..32767 | | Word addr 40339 |
| DS3.I1 | DS12.I1 | -32768..32767 | | Word addr 40340 |
| DS3.I2 | DS12.I2 | -32768..32767 | | Word addr 40341 |
| DS3.I3 | DS12.I3 | -32768..32767 | | Word addr 40342 |
| DS5.I1 | DS14.I1 | -32768..32767 | | Word addr 40343 |
| DS5.I2 | DS14.I2 | -32768..32767 | | Word addr 40344 |
| DS5.I3 | DS14.I3 | -32768..32767 | | Word addr 40345 |
| DS7.I1 | DS16.I1 | -32768..32767 | | Word addr 40346 |
| DS7.I2 | DS16.I2 | -32768..32767 | | Word addr 40347 |
| DS7.I3 | DS16.I3 | -32768..32767 | | Word addr 40348 |
| DS9.I1 | DS18.I1 | -32768..32767 | | Word addr 40349 |
| DS9.I2 | DS18.I2 | -32768..32767 | | Word addr 40350 |
| DS9.I3 | DS18.I3 | -32768..32767 | | Word addr 40351 |
| DS11.I1 | DS20.I1 | -32768..32767 | | Word addr 40352 |
| DS11.I2 | DS20.I2 | -32768..32767 | | Word addr 40353 |
| DS11.I3 | DS20.I3 | -32768..32767 | | Word addr 40354 |
| DS13.I1 | DS22.I1 | -32768..32767 | | Word addr 40355 |
| DS13.I2 | DS22.I2 | -32768..32767 | | Word addr 40356 |
| DS13.I3 | DS22.I3 | -32768..32767 | | Word addr 40357 |
| DS15.I1 | DS24.I1 | -32768..32767 | | Word addr 40358 |
| DS15.I2 | DS24.I2 | -32768..32767 | | Word addr 40359 |
| DS15.I3 | DS24.I3 | -32768..32767 | | Word addr 40360 |
| DS1.O1 | DS10.O1 | -32768..32767 | Data from AC80 to SLAVE | Word addr 40361 |
| DS1.O2 | DS10.O2 | -32768..32767 | | Word addr 40362 |
| DS1.O3 | DS10.O3 | -32768..32767 | | Word addr 40363 |
| DS3.O1 | DS12.O1 | -32768..32767 | | Word addr 40364 |
| DS3.O2 | DS12.O2 | -32768..32767 | | Word addr 40365 |
| DS3.O3 | DS12.O3 | -32768..32767 | | Word addr 40366 |
| DS5.O1 | DS14.O1 | -32768..32767 | | Word addr 40367 |
| DS5.O2 | DS14.O2 | -32768..32767 | | Word addr 40368 |
| DS5.O3 | DS14.O3 | -32768..32767 | | Word addr 40369 |
| DS7.O1 | DS16.O1 | -32768..32767 | | Word addr 40370 |
| DS7.O2 | DS16.O2 | -32768..32767 | | Word addr 40371 |
| DS7.O3 | DS16.O3 | -32768..32767 | | Word addr 40372 |
| DS9.O1 | DS18.O1 | -32768..32767 | | Word addr 40373 |
| DS9.O2 | DS18.O2 | -32768..32767 | | Word addr 40374 |
| DS9.O3 | DS18.O3 | -32768..32767 | | Word addr 40375 |
| DS11.O1 | DS20.O1 | -32768..32767 | | Word addr 40376 |
| DS11.O2 | DS20.O2 | -32768..32767 | | Word addr 40377 |
| DS11.O3 | DS20.O3 | -32768..32767 | | Word addr 40378 |
| DS13.O1 | DS22.O1 | -32768..32767 | | Word addr 40379 |
| DS13.O2 | DS22.O2 | -32768..32767 | | Word addr 40380 |
| DS13.O3 | DS22.O3 | -32768..32767 | | Word addr 40381 |
| DS15.O1 | DS24.O1 | -32768..32767 | | Word addr 40382 |
| DS15.O2 | DS24.O2 | -32768..32767 | | Word addr 40383 |
| DS15.O3 | DS24.O3 | -32768..32767 | | Word addr 40384 |

DESCRIPTION

| | | | | |
|---|------------|----------------------|------|------------|
| Firmware PE1364B Program Ver 20 | From-Från | Date-Datum | Reg. | Page-Sidan |
| | 2010-04-12 | | | 19 |
| Dealt with by-Utfördare | | Telephone-Telefon-nr | | |
| Sven-Erik Karlsson | | 187050 | | |

ModulBus(DDCS) – Modbus TCP converter PE1364B

DDCS Node 9 Signal Ist ModuleBus – Modbus TCP

| AC80 Data First DS=1 | AC80 Data First DS =10 | Value | Logged data to ModbusTCP → | Modbus TCP data |
|-------------------------|---------------------------|---------------|-------------------------------|-----------------|
| DS1.I1 | DS10.I1 | -32768..32767 | Data from SLAVE to AC80 | Word addr 40385 |
| DS1.I2 | DS10.I2 | -32768..32767 | | Word addr 40386 |
| DS1.I3 | DS10.I3 | -32768..32767 | | Word addr 40387 |
| DS3.I1 | DS12.I1 | -32768..32767 | | Word addr 40388 |
| DS3.I2 | DS12.I2 | -32768..32767 | | Word addr 40389 |
| DS3.I3 | DS12.I3 | -32768..32767 | | Word addr 40390 |
| DS5.I1 | DS14.I1 | -32768..32767 | | Word addr 40391 |
| DS5.I2 | DS14.I2 | -32768..32767 | | Word addr 40392 |
| DS5.I3 | DS14.I3 | -32768..32767 | | Word addr 40393 |
| DS7.I1 | DS16.I1 | -32768..32767 | | Word addr 40394 |
| DS7.I2 | DS16.I2 | -32768..32767 | | Word addr 40395 |
| DS7.I3 | DS16.I3 | -32768..32767 | | Word addr 40396 |
| DS9.I1 | DS18.I1 | -32768..32767 | | Word addr 40397 |
| DS9.I2 | DS18.I2 | -32768..32767 | | Word addr 40398 |
| DS9.I3 | DS18.I3 | -32768..32767 | | Word addr 40399 |
| DS11.I1 | DS20.I1 | -32768..32767 | | Word addr 40400 |
| DS11.I2 | DS20.I2 | -32768..32767 | | Word addr 40401 |
| DS11.I3 | DS20.I3 | -32768..32767 | | Word addr 40402 |
| DS13.I1 | DS22.I1 | -32768..32767 | | Word addr 40403 |
| DS13.I2 | DS22.I2 | -32768..32767 | | Word addr 40404 |
| DS13.I3 | DS22.I3 | -32768..32767 | | Word addr 40405 |
| DS15.I1 | DS24.I1 | -32768..32767 | | Word addr 40406 |
| DS15.I2 | DS24.I2 | -32768..32767 | | Word addr 40407 |
| DS15.I3 | DS24.I3 | -32768..32767 | | Word addr 40408 |
| DS1.O1 | DS10.O1 | -32768..32767 | Data from AC80 to SLAVE | Word addr 40409 |
| DS1.O2 | DS10.O2 | -32768..32767 | | Word addr 40410 |
| DS1.O3 | DS10.O3 | -32768..32767 | | Word addr 40411 |
| DS3.O1 | DS12.O1 | -32768..32767 | | Word addr 40412 |
| DS3.O2 | DS12.O2 | -32768..32767 | | Word addr 40413 |
| DS3.O3 | DS12.O3 | -32768..32767 | | Word addr 40414 |
| DS5.O1 | DS14.O1 | -32768..32767 | | Word addr 40415 |
| DS5.O2 | DS14.O2 | -32768..32767 | | Word addr 40416 |
| DS5.O3 | DS14.O3 | -32768..32767 | | Word addr 40417 |
| DS7.O1 | DS16.O1 | -32768..32767 | | Word addr 40418 |
| DS7.O2 | DS16.O2 | -32768..32767 | | Word addr 40419 |
| DS7.O3 | DS16.O3 | -32768..32767 | | Word addr 40420 |
| DS9.O1 | DS18.O1 | -32768..32767 | | Word addr 40421 |
| DS9.O2 | DS18.O2 | -32768..32767 | | Word addr 40422 |
| DS9.O3 | DS18.O3 | -32768..32767 | | Word addr 40423 |
| DS11.O1 | DS20.O1 | -32768..32767 | | Word addr 40424 |
| DS11.O2 | DS20.O2 | -32768..32767 | | Word addr 40425 |
| DS11.O3 | DS20.O3 | -32768..32767 | | Word addr 40426 |
| DS13.O1 | DS22.O1 | -32768..32767 | | Word addr 40427 |
| DS13.O2 | DS22.O2 | -32768..32767 | | Word addr 40428 |
| DS13.O3 | DS22.O3 | -32768..32767 | | Word addr 40429 |
| DS15.O1 | DS24.O1 | -32768..32767 | | Word addr 40430 |
| DS15.O2 | DS24.O2 | -32768..32767 | | Word addr 40431 |
| DS15.O3 | DS24.O3 | -32768..32767 | | Word addr 40432 |

PROCESSELEKTRONIK AB

Ref.
PE1364B/V11

DESCRIPTION

| | | | | |
|------------------------------------|------------|----------------------|------|------------|
| Firmware PE1364B Program Ver 20 | From-Från | Date-Datum | Reg. | Page-Sidan |
| | 2010-04-12 | | | 20 |
| Dealt with by-Utfärdare | | Telephone-Telefon-nr | | |
| Sven-Erik Karlsson | | 187050 | | |

ModulBus(DDCS) – Modbus TCP converter PE1364B

DDCS Node 10 Signal list ModuleBus – Modbus TCP

| AC80 Data First DS=1 | AC80 Data First DS =10 | Value | Logged data to ModbusTCP → | Modbus TCP data |
|-------------------------|---------------------------|---------------|-------------------------------|-----------------|
| DS1.I1 | DS10.I1 | -32768..32767 | Data from SLAVE to AC80 | Word addr 40433 |
| DS1.I2 | DS10.I2 | -32768..32767 | | Word addr 40434 |
| DS1.I3 | DS10.I3 | -32768..32767 | | Word addr 40435 |
| DS3.I1 | DS12.I1 | -32768..32767 | | Word addr 40436 |
| DS3.I2 | DS12.I2 | -32768..32767 | | Word addr 40437 |
| DS3.I3 | DS12.I3 | -32768..32767 | | Word addr 40438 |
| DS5.I1 | DS14.I1 | -32768..32767 | | Word addr 40439 |
| DS5.I2 | DS14.I2 | -32768..32767 | | Word addr 40440 |
| DS5.I3 | DS14.I3 | -32768..32767 | | Word addr 40441 |
| DS7.I1 | DS16.I1 | -32768..32767 | | Word addr 40442 |
| DS7.I2 | DS16.I2 | -32768..32767 | | Word addr 40443 |
| DS7.I3 | DS16.I3 | -32768..32767 | | Word addr 40444 |
| DS9.I1 | DS18.I1 | -32768..32767 | | Word addr 40445 |
| DS9.I2 | DS18.I2 | -32768..32767 | | Word addr 40446 |
| DS9.I3 | DS18.I3 | -32768..32767 | | Word addr 40447 |
| DS11.I1 | DS20.I1 | -32768..32767 | | Word addr 40448 |
| DS11.I2 | DS20.I2 | -32768..32767 | | Word addr 40449 |
| DS11.I3 | DS20.I3 | -32768..32767 | | Word addr 40450 |
| DS13.I1 | DS22.I1 | -32768..32767 | | Word addr 40451 |
| DS13.I2 | DS22.I2 | -32768..32767 | | Word addr 40452 |
| DS13.I3 | DS22.I3 | -32768..32767 | | Word addr 40453 |
| DS15.I1 | DS24.I1 | -32768..32767 | | Word addr 40454 |
| DS15.I2 | DS24.I2 | -32768..32767 | | Word addr 40455 |
| DS15.I3 | DS24.I3 | -32768..32767 | | Word addr 40456 |
| DS1.O1 | DS10.O1 | -32768..32767 | Data from AC80 to SLAVE | Word addr 40457 |
| DS1.O2 | DS10.O2 | -32768..32767 | | Word addr 40458 |
| DS1.O3 | DS10.O3 | -32768..32767 | | Word addr 40459 |
| DS3.O1 | DS12.O1 | -32768..32767 | | Word addr 40460 |
| DS3.O2 | DS12.O2 | -32768..32767 | | Word addr 40461 |
| DS3.O3 | DS12.O3 | -32768..32767 | | Word addr 40462 |
| DS5.O1 | DS14.O1 | -32768..32767 | | Word addr 40463 |
| DS5.O2 | DS14.O2 | -32768..32767 | | Word addr 40464 |
| DS5.O3 | DS14.O3 | -32768..32767 | | Word addr 40465 |
| DS7.O1 | DS16.O1 | -32768..32767 | | Word addr 40466 |
| DS7.O2 | DS16.O2 | -32768..32767 | | Word addr 40467 |
| DS7.O3 | DS16.O3 | -32768..32767 | | Word addr 40468 |
| DS9.O1 | DS18.O1 | -32768..32767 | | Word addr 40469 |
| DS9.O2 | DS18.O2 | -32768..32767 | | Word addr 40470 |
| DS9.O3 | DS18.O3 | -32768..32767 | | Word addr 40471 |
| DS11.O1 | DS20.O1 | -32768..32767 | | Word addr 40472 |
| DS11.O2 | DS20.O2 | -32768..32767 | | Word addr 40473 |
| DS11.O3 | DS20.O3 | -32768..32767 | | Word addr 40474 |
| DS13.O1 | DS22.O1 | -32768..32767 | | Word addr 40475 |
| DS13.O2 | DS22.O2 | -32768..32767 | | Word addr 40476 |
| DS13.O3 | DS22.O3 | -32768..32767 | | Word addr 40477 |
| DS15.O1 | DS24.O1 | -32768..32767 | | Word addr 40478 |
| DS15.O2 | DS24.O2 | -32768..32767 | | Word addr 40479 |
| DS15.O3 | DS24.O3 | -32768..32767 | | Word addr 40480 |

PROCESSELEKTRONIK AB

Ref.
PE1364B/V11

DESCRIPTION

| | | | | |
|------------------------------------|------------|----------------------|------|------------|
| Firmware PE1364B Program Ver 20 | From-Från | Date-Datum | Reg. | Page-Sidan |
| | 2010-04-12 | | | 21 |
| Dealt with by-Utfärdare | | Telephone-Telefon-nr | | |
| Sven-Erik Karlsson | | 187050 | | |

ModulBus(DDCS) – Modbus TCP converter PE1364B

DDCS Node 11 Signal list ModuleBus – Modbus TCP

| AC80 Data First DS=1 | AC80 Data First DS =10 | Value | Logged data to ModbusTCP → | Modbus TCP data |
|-------------------------|---------------------------|---------------|-------------------------------|-----------------|
| DS1.I1 | DS10.I1 | -32768..32767 | Data from SLAVE to AC80 | Word addr 40481 |
| DS1.I2 | DS10.I2 | -32768..32767 | | Word addr 40482 |
| DS1.I3 | DS10.I3 | -32768..32767 | | Word addr 40483 |
| DS3.I1 | DS12.I1 | -32768..32767 | | Word addr 40484 |
| DS3.I2 | DS12.I2 | -32768..32767 | | Word addr 40485 |
| DS3.I3 | DS12.I3 | -32768..32767 | | Word addr 40486 |
| DS5.I1 | DS14.I1 | -32768..32767 | | Word addr 40487 |
| DS5.I2 | DS14.I2 | -32768..32767 | | Word addr 40488 |
| DS5.I3 | DS14.I3 | -32768..32767 | | Word addr 40489 |
| DS7.I1 | DS16.I1 | -32768..32767 | | Word addr 40490 |
| DS7.I2 | DS16.I2 | -32768..32767 | | Word addr 40491 |
| DS7.I3 | DS16.I3 | -32768..32767 | | Word addr 40492 |
| DS9.I1 | DS18.I1 | -32768..32767 | | Word addr 40493 |
| DS9.I2 | DS18.I2 | -32768..32767 | | Word addr 40494 |
| DS9.I3 | DS18.I3 | -32768..32767 | | Word addr 40495 |
| DS11.I1 | DS20.I1 | -32768..32767 | | Word addr 40496 |
| DS11.I2 | DS20.I2 | -32768..32767 | | Word addr 40497 |
| DS11.I3 | DS20.I3 | -32768..32767 | | Word addr 40498 |
| DS13.I1 | DS22.I1 | -32768..32767 | | Word addr 40499 |
| DS13.I2 | DS22.I2 | -32768..32767 | | Word addr 40500 |
| DS13.I3 | DS22.I3 | -32768..32767 | | Word addr 40501 |
| DS15.I1 | DS24.I1 | -32768..32767 | | Word addr 40502 |
| DS15.I2 | DS24.I2 | -32768..32767 | | Word addr 40503 |
| DS15.I3 | DS24.I3 | -32768..32767 | | Word addr 40504 |
| DS1.O1 | DS10.O1 | -32768..32767 | Data from AC80 to SLAVE | Word addr 40505 |
| DS1.O2 | DS10.O2 | -32768..32767 | | Word addr 40506 |
| DS1.O3 | DS10.O3 | -32768..32767 | | Word addr 40507 |
| DS3.O1 | DS12.O1 | -32768..32767 | | Word addr 40508 |
| DS3.O2 | DS12.O2 | -32768..32767 | | Word addr 40509 |
| DS3.O3 | DS12.O3 | -32768..32767 | | Word addr 40510 |
| DS5.O1 | DS14.O1 | -32768..32767 | | Word addr 40511 |
| DS5.O2 | DS14.O2 | -32768..32767 | | Word addr 40512 |
| DS5.O3 | DS14.O3 | -32768..32767 | | Word addr 40513 |
| DS7.O1 | DS16.O1 | -32768..32767 | | Word addr 40514 |
| DS7.O2 | DS16.O2 | -32768..32767 | | Word addr 40515 |
| DS7.O3 | DS16.O3 | -32768..32767 | | Word addr 40516 |
| DS9.O1 | DS18.O1 | -32768..32767 | | Word addr 40517 |
| DS9.O2 | DS18.O2 | -32768..32767 | | Word addr 40518 |
| DS9.O3 | DS18.O3 | -32768..32767 | | Word addr 40519 |
| DS11.O1 | DS20.O1 | -32768..32767 | | Word addr 40520 |
| DS11.O2 | DS20.O2 | -32768..32767 | | Word addr 40521 |
| DS11.O3 | DS20.O3 | -32768..32767 | | Word addr 40522 |
| DS13.O1 | DS22.O1 | -32768..32767 | | Word addr 40523 |
| DS13.O2 | DS22.O2 | -32768..32767 | | Word addr 40524 |
| DS13.O3 | DS22.O3 | -32768..32767 | | Word addr 40525 |
| DS15.O1 | DS24.O1 | -32768..32767 | | Word addr 40526 |
| DS15.O2 | DS24.O2 | -32768..32767 | | Word addr 40527 |
| DS15.O3 | DS24.O3 | -32768..32767 | | Word addr 40528 |

PROCESSELEKTRONIK AB

Ref.
PE1364B/V11

DESCRIPTION

| | | | | |
|------------------------------------|------------|----------------------|------|------------|
| Firmware PE1364B Program Ver 20 | From-Från | Date-Datum | Reg. | Page-Sidan |
| | 2010-04-12 | | | 22 |
| Dealt with by-Utfördare | | Telephone-Telefon-nr | | |
| Sven-Erik Karlsson | | 187050 | | |

ModulBus(DDCS) – Modbus TCP converter PE1364B

DDCS Node 12 Signal list ModuleBus – Modbus TCP

| AC80 Data First DS=1 | AC80 Data First DS =10 | Value | Logged data to ModbusTCP → | Modbus TCP data |
|-------------------------|---------------------------|---------------|-------------------------------|-----------------|
| DS1.I1 | DS10.I1 | -32768..32767 | Data from SLAVE to AC80 | Word addr 40529 |
| DS1.I2 | DS10.I2 | -32768..32767 | | Word addr 40530 |
| DS1.I3 | DS10.I3 | -32768..32767 | | Word addr 40531 |
| DS3.I1 | DS12.I1 | -32768..32767 | | Word addr 40532 |
| DS3.I2 | DS12.I2 | -32768..32767 | | Word addr 40533 |
| DS3.I3 | DS12.I3 | -32768..32767 | | Word addr 40534 |
| DS5.I1 | DS14.I1 | -32768..32767 | | Word addr 40535 |
| DS5.I2 | DS14.I2 | -32768..32767 | | Word addr 40536 |
| DS5.I3 | DS14.I3 | -32768..32767 | | Word addr 40537 |
| DS7.I1 | DS16.I1 | -32768..32767 | | Word addr 40538 |
| DS7.I2 | DS16.I2 | -32768..32767 | | Word addr 40539 |
| DS7.I3 | DS16.I3 | -32768..32767 | | Word addr 40540 |
| DS9.I1 | DS18.I1 | -32768..32767 | | Word addr 40541 |
| DS9.I2 | DS18.I2 | -32768..32767 | | Word addr 40542 |
| DS9.I3 | DS18.I3 | -32768..32767 | | Word addr 40543 |
| DS11.I1 | DS20.I1 | -32768..32767 | | Word addr 40544 |
| DS11.I2 | DS20.I2 | -32768..32767 | | Word addr 40545 |
| DS11.I3 | DS20.I3 | -32768..32767 | | Word addr 40546 |
| DS13.I1 | DS22.I1 | -32768..32767 | | Word addr 40547 |
| DS13.I2 | DS22.I2 | -32768..32767 | | Word addr 40548 |
| DS13.I3 | DS22.I3 | -32768..32767 | | Word addr 40549 |
| DS15.I1 | DS24.I1 | -32768..32767 | | Word addr 40550 |
| DS15.I2 | DS24.I2 | -32768..32767 | | Word addr 40551 |
| DS15.I3 | DS24.I3 | -32768..32767 | | Word addr 40552 |
| DS1.O1 | DS10.O1 | -32768..32767 | Data from AC80 to SLAVE | Word addr 40553 |
| DS1.O2 | DS10.O2 | -32768..32767 | | Word addr 40554 |
| DS1.O3 | DS10.O3 | -32768..32767 | | Word addr 40555 |
| DS3.O1 | DS12.O1 | -32768..32767 | | Word addr 40556 |
| DS3.O2 | DS12.O2 | -32768..32767 | | Word addr 40557 |
| DS3.O3 | DS12.O3 | -32768..32767 | | Word addr 40558 |
| DS5.O1 | DS14.O1 | -32768..32767 | | Word addr 40559 |
| DS5.O2 | DS14.O2 | -32768..32767 | | Word addr 40560 |
| DS5.O3 | DS14.O3 | -32768..32767 | | Word addr 40561 |
| DS7.O1 | DS16.O1 | -32768..32767 | | Word addr 40562 |
| DS7.O2 | DS16.O2 | -32768..32767 | | Word addr 40563 |
| DS7.O3 | DS16.O3 | -32768..32767 | | Word addr 40564 |
| DS9.O1 | DS18.O1 | -32768..32767 | | Word addr 40565 |
| DS9.O2 | DS18.O2 | -32768..32767 | | Word addr 40566 |
| DS9.O3 | DS18.O3 | -32768..32767 | | Word addr 40567 |
| DS11.O1 | DS20.O1 | -32768..32767 | | Word addr 40568 |
| DS11.O2 | DS20.O2 | -32768..32767 | | Word addr 40569 |
| DS11.O3 | DS20.O3 | -32768..32767 | | Word addr 40570 |
| DS13.O1 | DS22.O1 | -32768..32767 | | Word addr 40571 |
| DS13.O2 | DS22.O2 | -32768..32767 | | Word addr 40572 |
| DS13.O3 | DS22.O3 | -32768..32767 | | Word addr 40573 |
| DS15.O1 | DS24.O1 | -32768..32767 | | Word addr 40574 |
| DS15.O2 | DS24.O2 | -32768..32767 | | Word addr 40575 |
| DS15.O3 | DS24.O3 | -32768..32767 | | Word addr 40576 |

DESCRIPTION

| | | | | |
|------------------------------------|------------|----------------------|------|------------|
| Firmware PE1364B Program Ver 20 | From-Från | Date-Datum | Reg. | Page-Sidan |
| | 2010-04-12 | | | 23 |
| Dealt with by-Utfördare | | Telephone-Telefon-nr | | |
| Sven-Erik Karlsson | | 187050 | | |

ModulBus(DDCS) – Modbus TCP converter PE1364B

DDCS Node 13 Signal list ModuleBus – Modbus TCP

| AC80 Data First DS=1 | AC80 Data First DS =10 | Value | Logged data to ModbusTCP → | Modbus TCP data |
|-------------------------|---------------------------|---------------|-------------------------------|-----------------|
| DS1.I1 | DS10.I1 | -32768..32767 | Data from SLAVE to AC80 | Word addr 40577 |
| DS1.I2 | DS10.I2 | -32768..32767 | | Word addr 40578 |
| DS1.I3 | DS10.I3 | -32768..32767 | | Word addr 40579 |
| DS3.I1 | DS12.I1 | -32768..32767 | | Word addr 40580 |
| DS3.I2 | DS12.I2 | -32768..32767 | | Word addr 40581 |
| DS3.I3 | DS12.I3 | -32768..32767 | | Word addr 40582 |
| DS5.I1 | DS14.I1 | -32768..32767 | | Word addr 40583 |
| DS5.I2 | DS14.I2 | -32768..32767 | | Word addr 40584 |
| DS5.I3 | DS14.I3 | -32768..32767 | | Word addr 40585 |
| DS7.I1 | DS16.I1 | -32768..32767 | | Word addr 40586 |
| DS7.I2 | DS16.I2 | -32768..32767 | | Word addr 40587 |
| DS7.I3 | DS16.I3 | -32768..32767 | | Word addr 40588 |
| DS9.I1 | DS18.I1 | -32768..32767 | | Word addr 40589 |
| DS9.I2 | DS18.I2 | -32768..32767 | | Word addr 40590 |
| DS9.I3 | DS18.I3 | -32768..32767 | | Word addr 40591 |
| DS11.I1 | DS20.I1 | -32768..32767 | | Word addr 40592 |
| DS11.I2 | DS20.I2 | -32768..32767 | | Word addr 40593 |
| DS11.I3 | DS20.I3 | -32768..32767 | | Word addr 40594 |
| DS13.I1 | DS22.I1 | -32768..32767 | | Word addr 40595 |
| DS13.I2 | DS22.I2 | -32768..32767 | | Word addr 40596 |
| DS13.I3 | DS22.I3 | -32768..32767 | | Word addr 40597 |
| DS15.I1 | DS24.I1 | -32768..32767 | | Word addr 40598 |
| DS15.I2 | DS24.I2 | -32768..32767 | | Word addr 40599 |
| DS15.I3 | DS24.I3 | -32768..32767 | | Word addr 40600 |
| DS1.O1 | DS10.O1 | -32768..32767 | Data from AC80 to SLAVE | Word addr 40601 |
| DS1.O2 | DS10.O2 | -32768..32767 | | Word addr 40602 |
| DS1.O3 | DS10.O3 | -32768..32767 | | Word addr 40603 |
| DS3.O1 | DS12.O1 | -32768..32767 | | Word addr 40604 |
| DS3.O2 | DS12.O2 | -32768..32767 | | Word addr 40605 |
| DS3.O3 | DS12.O3 | -32768..32767 | | Word addr 40606 |
| DS5.O1 | DS14.O1 | -32768..32767 | | Word addr 40607 |
| DS5.O2 | DS14.O2 | -32768..32767 | | Word addr 40608 |
| DS5.O3 | DS14.O3 | -32768..32767 | | Word addr 40609 |
| DS7.O1 | DS16.O1 | -32768..32767 | | Word addr 40610 |
| DS7.O2 | DS16.O2 | -32768..32767 | | Word addr 40611 |
| DS7.O3 | DS16.O3 | -32768..32767 | | Word addr 40612 |
| DS9.O1 | DS18.O1 | -32768..32767 | | Word addr 40613 |
| DS9.O2 | DS18.O2 | -32768..32767 | | Word addr 40614 |
| DS9.O3 | DS18.O3 | -32768..32767 | | Word addr 40615 |
| DS11.O1 | DS20.O1 | -32768..32767 | | Word addr 40616 |
| DS11.O2 | DS20.O2 | -32768..32767 | | Word addr 40617 |
| DS11.O3 | DS20.O3 | -32768..32767 | | Word addr 40618 |
| DS13.O1 | DS22.O1 | -32768..32767 | | Word addr 40619 |
| DS13.O2 | DS22.O2 | -32768..32767 | | Word addr 40620 |
| DS13.O3 | DS22.O3 | -32768..32767 | | Word addr 40621 |
| DS15.O1 | DS24.O1 | -32768..32767 | | Word addr 40622 |
| DS15.O2 | DS24.O2 | -32768..32767 | | Word addr 40623 |
| DS15.O3 | DS24.O3 | -32768..32767 | | Word addr 40624 |

DESCRIPTION

| | | | | |
|---|------------|----------------------|------|------------|
| Firmware PE1364B Program Ver 20 | From-Från | Date-Datum | Reg. | Page-Sidan |
| | 2010-04-12 | | | 24 |
| Dealt with by-Utfärdare | | Telephone-Telefon-nr | | |
| Sven-Erik Karlsson | | 187050 | | |

ModulBus(DDCS) – Modbus TCP converter PE1364B

DDCS Node 14 Signal list ModuleBus – Modbus TCP

| AC80 Data First DS=1 | AC80 Data First DS =10 | Value | Logged data to ModbusTCP → | Modbus TCP data |
|-------------------------|---------------------------|---------------|-------------------------------|-----------------|
| DS1.I1 | DS10.I1 | -32768..32767 | Data from SLAVE to AC80 | Word addr 40625 |
| DS1.I2 | DS10.I2 | -32768..32767 | | Word addr 40626 |
| DS1.I3 | DS10.I3 | -32768..32767 | | Word addr 40627 |
| DS3.I1 | DS12.I1 | -32768..32767 | | Word addr 40628 |
| DS3.I2 | DS12.I2 | -32768..32767 | | Word addr 40629 |
| DS3.I3 | DS12.I3 | -32768..32767 | | Word addr 40630 |
| DS5.I1 | DS14.I1 | -32768..32767 | | Word addr 40631 |
| DS5.I2 | DS14.I2 | -32768..32767 | | Word addr 40632 |
| DS5.I3 | DS14.I3 | -32768..32767 | | Word addr 40633 |
| DS7.I1 | DS16.I1 | -32768..32767 | | Word addr 40634 |
| DS7.I2 | DS16.I2 | -32768..32767 | | Word addr 40635 |
| DS7.I3 | DS16.I3 | -32768..32767 | | Word addr 40636 |
| DS9.I1 | DS18.I1 | -32768..32767 | | Word addr 40637 |
| DS9.I2 | DS18.I2 | -32768..32767 | | Word addr 40638 |
| DS9.I3 | DS18.I3 | -32768..32767 | | Word addr 40639 |
| DS11.I1 | DS20.I1 | -32768..32767 | | Word addr 40640 |
| DS11.I2 | DS20.I2 | -32768..32767 | | Word addr 40641 |
| DS11.I3 | DS20.I3 | -32768..32767 | | Word addr 40642 |
| DS13.I1 | DS22.I1 | -32768..32767 | | Word addr 40643 |
| DS13.I2 | DS22.I2 | -32768..32767 | | Word addr 40644 |
| DS13.I3 | DS22.I3 | -32768..32767 | | Word addr 40645 |
| DS15.I1 | DS24.I1 | -32768..32767 | | Word addr 40646 |
| DS15.I2 | DS24.I2 | -32768..32767 | | Word addr 40647 |
| DS15.I3 | DS24.I3 | -32768..32767 | | Word addr 40648 |
| DS1.O1 | DS10.O1 | -32768..32767 | Data from AC80 to SLAVE | Word addr 40649 |
| DS1.O2 | DS10.O2 | -32768..32767 | | Word addr 40655 |
| DS1.O3 | DS10.O3 | -32768..32767 | | Word addr 40651 |
| DS3.O1 | DS12.O1 | -32768..32767 | | Word addr 40652 |
| DS3.O2 | DS12.O2 | -32768..32767 | | Word addr 40653 |
| DS3.O3 | DS12.O3 | -32768..32767 | | Word addr 40654 |
| DS5.O1 | DS14.O1 | -32768..32767 | | Word addr 40655 |
| DS5.O2 | DS14.O2 | -32768..32767 | | Word addr 40656 |
| DS5.O3 | DS14.O3 | -32768..32767 | | Word addr 40657 |
| DS7.O1 | DS16.O1 | -32768..32767 | | Word addr 40658 |
| DS7.O2 | DS16.O2 | -32768..32767 | | Word addr 40659 |
| DS7.O3 | DS16.O3 | -32768..32767 | | Word addr 40660 |
| DS9.O1 | DS18.O1 | -32768..32767 | | Word addr 40661 |
| DS9.O2 | DS18.O2 | -32768..32767 | | Word addr 40662 |
| DS9.O3 | DS18.O3 | -32768..32767 | | Word addr 40663 |
| DS11.O1 | DS20.O1 | -32768..32767 | | Word addr 40664 |
| DS11.O2 | DS20.O2 | -32768..32767 | | Word addr 40665 |
| DS11.O3 | DS20.O3 | -32768..32767 | | Word addr 40666 |
| DS13.O1 | DS22.O1 | -32768..32767 | | Word addr 40667 |
| DS13.O2 | DS22.O2 | -32768..32767 | | Word addr 40668 |
| DS13.O3 | DS22.O3 | -32768..32767 | | Word addr 40669 |
| DS15.O1 | DS24.O1 | -32768..32767 | | Word addr 40670 |
| DS15.O2 | DS24.O2 | -32768..32767 | | Word addr 40671 |
| DS15.O3 | DS24.O3 | -32768..32767 | | Word addr 40672 |

DESCRIPTION

| | | | | |
|---|------------|----------------------|------|------------|
| Firmware PE1364B Program Ver 20 | From-Från | Date-Datum | Reg. | Page-Sidan |
| | 2010-04-12 | | | 25 |
| Dealt with by-Utfärdare | | Telephone-Telefon-nr | | |
| Sven-Erik Karlsson | | 187050 | | |

ModulBus(DDCS) – Modbus TCP converter PE1364B

DDCS Node 15 Signal list ModuleBus – Modbus TCP

| AC80 Data First DS=1 | AC80 Data First DS =10 | Value | Logged data to ModbusTCP → | Modbus TCP data |
|-------------------------|---------------------------|---------------|-------------------------------|-----------------|
| DS1.I1 | DS10.I1 | -32768..32767 | Data from SLAVE to AC80 | Word addr 40673 |
| DS1.I2 | DS10.I2 | -32768..32767 | | Word addr 40674 |
| DS1.I3 | DS10.I3 | -32768..32767 | | Word addr 40675 |
| DS3.I1 | DS12.I1 | -32768..32767 | | Word addr 40676 |
| DS3.I2 | DS12.I2 | -32768..32767 | | Word addr 40677 |
| DS3.I3 | DS12.I3 | -32768..32767 | | Word addr 40678 |
| DS5.I1 | DS14.I1 | -32768..32767 | | Word addr 40679 |
| DS5.I2 | DS14.I2 | -32768..32767 | | Word addr 40680 |
| DS5.I3 | DS14.I3 | -32768..32767 | | Word addr 40681 |
| DS7.I1 | DS16.I1 | -32768..32767 | | Word addr 40682 |
| DS7.I2 | DS16.I2 | -32768..32767 | | Word addr 40683 |
| DS7.I3 | DS16.I3 | -32768..32767 | | Word addr 40684 |
| DS9.I1 | DS18.I1 | -32768..32767 | | Word addr 40685 |
| DS9.I2 | DS18.I2 | -32768..32767 | | Word addr 40686 |
| DS9.I3 | DS18.I3 | -32768..32767 | | Word addr 40687 |
| DS11.I1 | DS20.I1 | -32768..32767 | | Word addr 40688 |
| DS11.I2 | DS20.I2 | -32768..32767 | | Word addr 40689 |
| DS11.I3 | DS20.I3 | -32768..32767 | | Word addr 40690 |
| DS13.I1 | DS22.I1 | -32768..32767 | | Word addr 40691 |
| DS13.I2 | DS22.I2 | -32768..32767 | | Word addr 40692 |
| DS13.I3 | DS22.I3 | -32768..32767 | | Word addr 40693 |
| DS15.I1 | DS24.I1 | -32768..32767 | | Word addr 40694 |
| DS15.I2 | DS24.I2 | -32768..32767 | | Word addr 40695 |
| DS15.I3 | DS24.I3 | -32768..32767 | | Word addr 40696 |
| DS1.O1 | DS10.O1 | -32768..32767 | Data from AC80 to SLAVE | Word addr 40697 |
| DS1.O2 | DS10.O2 | -32768..32767 | | Word addr 40698 |
| DS1.O3 | DS10.O3 | -32768..32767 | | Word addr 40699 |
| DS3.O1 | DS12.O1 | -32768..32767 | | Word addr 40700 |
| DS3.O2 | DS12.O2 | -32768..32767 | | Word addr 40701 |
| DS3.O3 | DS12.O3 | -32768..32767 | | Word addr 40702 |
| DS5.O1 | DS14.O1 | -32768..32767 | | Word addr 40703 |
| DS5.O2 | DS14.O2 | -32768..32767 | | Word addr 40704 |
| DS5.O3 | DS14.O3 | -32768..32767 | | Word addr 40705 |
| DS7.O1 | DS16.O1 | -32768..32767 | | Word addr 40706 |
| DS7.O2 | DS16.O2 | -32768..32767 | | Word addr 40707 |
| DS7.O3 | DS16.O3 | -32768..32767 | | Word addr 40708 |
| DS9.O1 | DS18.O1 | -32768..32767 | | Word addr 40709 |
| DS9.O2 | DS18.O2 | -32768..32767 | | Word addr 40710 |
| DS9.O3 | DS18.O3 | -32768..32767 | | Word addr 40711 |
| DS11.O1 | DS20.O1 | -32768..32767 | | Word addr 40712 |
| DS11.O2 | DS20.O2 | -32768..32767 | | Word addr 40713 |
| DS11.O3 | DS20.O3 | -32768..32767 | | Word addr 40714 |
| DS13.O1 | DS22.O1 | -32768..32767 | | Word addr 40715 |
| DS13.O2 | DS22.O2 | -32768..32767 | | Word addr 40716 |
| DS13.O3 | DS22.O3 | -32768..32767 | | Word addr 40717 |
| DS15.O1 | DS24.O1 | -32768..32767 | | Word addr 40718 |
| DS15.O2 | DS24.O2 | -32768..32767 | | Word addr 40719 |
| DS15.O3 | DS24.O3 | -32768..32767 | | Word addr 40720 |

DESCRIPTION

| | | | | |
|------------------------------------|----------------------|------------|------|------------|
| Firmware PE1364B Program Ver 20 | From-Från | Date-Datum | Reg. | Page-Sidan |
| | 2010-04-12 | | | 26 |
| Dealt with by-Utfördare | Telephone-Telefon-nr | | | |
| Sven-Erik Karlsson | 187050 | | | |

ModulBus(DDCS) – Modbus TCP converter PE1364B

DDCS Node 16 Signal list ModuleBus – Modbus TCP

| AC80 Data First DS=1 | AC80 Data First DS =10 | Value | Logged data to ModbusTCP → | Modbus TCP data |
|-------------------------|---------------------------|---------------|-------------------------------|-----------------|
| DS1.I1 | DS10.I1 | -32768..32767 | Data from SLAVE to AC80 | Word addr 40721 |
| DS1.I2 | DS10.I2 | -32768..32767 | | Word addr 40722 |
| DS1.I3 | DS10.I3 | -32768..32767 | | Word addr 40723 |
| DS3.I1 | DS12.I1 | -32768..32767 | | Word addr 40724 |
| DS3.I2 | DS12.I2 | -32768..32767 | | Word addr 40725 |
| DS3.I3 | DS12.I3 | -32768..32767 | | Word addr 40726 |
| DS5.I1 | DS14.I1 | -32768..32767 | | Word addr 40727 |
| DS5.I2 | DS14.I2 | -32768..32767 | | Word addr 40728 |
| DS5.I3 | DS14.I3 | -32768..32767 | | Word addr 40729 |
| DS7.I1 | DS16.I1 | -32768..32767 | | Word addr 40730 |
| DS7.I2 | DS16.I2 | -32768..32767 | | Word addr 40731 |
| DS7.I3 | DS16.I3 | -32768..32767 | | Word addr 40732 |
| DS9.I1 | DS18.I1 | -32768..32767 | | Word addr 40733 |
| DS9.I2 | DS18.I2 | -32768..32767 | | Word addr 40734 |
| DS9.I3 | DS18.I3 | -32768..32767 | | Word addr 40735 |
| DS11.I1 | DS20.I1 | -32768..32767 | | Word addr 40736 |
| DS11.I2 | DS20.I2 | -32768..32767 | | Word addr 40737 |
| DS11.I3 | DS20.I3 | -32768..32767 | | Word addr 40738 |
| DS13.I1 | DS22.I1 | -32768..32767 | | Word addr 40739 |
| DS13.I2 | DS22.I2 | -32768..32767 | | Word addr 40740 |
| DS13.I3 | DS22.I3 | -32768..32767 | | Word addr 40741 |
| DS15.I1 | DS24.I1 | -32768..32767 | | Word addr 40742 |
| DS15.I2 | DS24.I2 | -32768..32767 | | Word addr 40743 |
| DS15.I3 | DS24.I3 | -32768..32767 | | Word addr 40744 |
| DS1.O1 | DS10.O1 | -32768..32767 | Data from AC80 to SLAVE | Word addr 40745 |
| DS1.O2 | DS10.O2 | -32768..32767 | | Word addr 40746 |
| DS1.O3 | DS10.O3 | -32768..32767 | | Word addr 40747 |
| DS3.O1 | DS12.O1 | -32768..32767 | | Word addr 40748 |
| DS3.O2 | DS12.O2 | -32768..32767 | | Word addr 40749 |
| DS3.O3 | DS12.O3 | -32768..32767 | | Word addr 40755 |
| DS5.O1 | DS14.O1 | -32768..32767 | | Word addr 40751 |
| DS5.O2 | DS14.O2 | -32768..32767 | | Word addr 40752 |
| DS5.O3 | DS14.O3 | -32768..32767 | | Word addr 40753 |
| DS7.O1 | DS16.O1 | -32768..32767 | | Word addr 40754 |
| DS7.O2 | DS16.O2 | -32768..32767 | | Word addr 40755 |
| DS7.O3 | DS16.O3 | -32768..32767 | | Word addr 40756 |
| DS9.O1 | DS18.O1 | -32768..32767 | | Word addr 40757 |
| DS9.O2 | DS18.O2 | -32768..32767 | | Word addr 40758 |
| DS9.O3 | DS18.O3 | -32768..32767 | | Word addr 40759 |
| DS11.O1 | DS20.O1 | -32768..32767 | | Word addr 40760 |
| DS11.O2 | DS20.O2 | -32768..32767 | | Word addr 40761 |
| DS11.O3 | DS20.O3 | -32768..32767 | | Word addr 40762 |
| DS13.O1 | DS22.O1 | -32768..32767 | | Word addr 40763 |
| DS13.O2 | DS22.O2 | -32768..32767 | | Word addr 40764 |
| DS13.O3 | DS22.O3 | -32768..32767 | | Word addr 40765 |
| DS15.O1 | DS24.O1 | -32768..32767 | | Word addr 40766 |
| DS15.O2 | DS24.O2 | -32768..32767 | | Word addr 40767 |
| DS15.O3 | DS24.O3 | -32768..32767 | | Word addr 40768 |

DESCRIPTION

| | | | | |
|---|------------|----------------------|------|------------|
| Firmware PE1364B Program Ver 20 | From-Från | Date-Datum | Reg. | Page-Sidan |
| | 2010-04-12 | | | 27 |
| Dealt with by-Utfördare | | Telephone-Telefon-nr | | |
| Sven-Erik Karlsson | | 187050 | | |

ModulBus(DDCS) – Modbus TCP converter PE1364B

DDCS Node 17 Signal list ModuleBus – Modbus TCP

| AC80 Data First DS=1 | AC80 Data First DS =10 | Value | Logged data to ModbusTCP → | Modbus TCP data |
|-------------------------|---------------------------|---------------|-------------------------------|-----------------|
| DS1.I1 | DS10.I1 | -32768..32767 | Data from SLAVE to AC80 | Word addr 40769 |
| DS1.I2 | DS10.I2 | -32768..32767 | | Word addr 40770 |
| DS1.I3 | DS10.I3 | -32768..32767 | | Word addr 40771 |
| DS3.I1 | DS12.I1 | -32768..32767 | | Word addr 40772 |
| DS3.I2 | DS12.I2 | -32768..32767 | | Word addr 40773 |
| DS3.I3 | DS12.I3 | -32768..32767 | | Word addr 40774 |
| DS5.I1 | DS14.I1 | -32768..32767 | | Word addr 40775 |
| DS5.I2 | DS14.I2 | -32768..32767 | | Word addr 40776 |
| DS5.I3 | DS14.I3 | -32768..32767 | | Word addr 40777 |
| DS7.I1 | DS16.I1 | -32768..32767 | | Word addr 40778 |
| DS7.I2 | DS16.I2 | -32768..32767 | | Word addr 40779 |
| DS7.I3 | DS16.I3 | -32768..32767 | | Word addr 40780 |
| DS9.I1 | DS18.I1 | -32768..32767 | | Word addr 40781 |
| DS9.I2 | DS18.I2 | -32768..32767 | | Word addr 40782 |
| DS9.I3 | DS18.I3 | -32768..32767 | | Word addr 40783 |
| DS11.I1 | DS20.I1 | -32768..32767 | | Word addr 40784 |
| DS11.I2 | DS20.I2 | -32768..32767 | | Word addr 40785 |
| DS11.I3 | DS20.I3 | -32768..32767 | | Word addr 40786 |
| DS13.I1 | DS22.I1 | -32768..32767 | | Word addr 40787 |
| DS13.I2 | DS22.I2 | -32768..32767 | | Word addr 40788 |
| DS13.I3 | DS22.I3 | -32768..32767 | | Word addr 40789 |
| DS15.I1 | DS24.I1 | -32768..32767 | | Word addr 40790 |
| DS15.I2 | DS24.I2 | -32768..32767 | | Word addr 40791 |
| DS15.I3 | DS24.I3 | -32768..32767 | | Word addr 40792 |
| DS1.O1 | DS10.O1 | -32768..32767 | Data from AC80 to SLAVE | Word addr 40793 |
| DS1.O2 | DS10.O2 | -32768..32767 | | Word addr 40794 |
| DS1.O3 | DS10.O3 | -32768..32767 | | Word addr 40795 |
| DS3.O1 | DS12.O1 | -32768..32767 | | Word addr 40796 |
| DS3.O2 | DS12.O2 | -32768..32767 | | Word addr 40797 |
| DS3.O3 | DS12.O3 | -32768..32767 | | Word addr 40798 |
| DS5.O1 | DS14.O1 | -32768..32767 | | Word addr 40799 |
| DS5.O2 | DS14.O2 | -32768..32767 | | Word addr 40800 |
| DS5.O3 | DS14.O3 | -32768..32767 | | Word addr 40801 |
| DS7.O1 | DS16.O1 | -32768..32767 | | Word addr 40802 |
| DS7.O2 | DS16.O2 | -32768..32767 | | Word addr 40803 |
| DS7.O3 | DS16.O3 | -32768..32767 | | Word addr 40804 |
| DS9.O1 | DS18.O1 | -32768..32767 | | Word addr 40805 |
| DS9.O2 | DS18.O2 | -32768..32767 | | Word addr 40806 |
| DS9.O3 | DS18.O3 | -32768..32767 | | Word addr 40807 |
| DS11.O1 | DS20.O1 | -32768..32767 | | Word addr 40808 |
| DS11.O2 | DS20.O2 | -32768..32767 | | Word addr 40809 |
| DS11.O3 | DS20.O3 | -32768..32767 | | Word addr 40810 |
| DS13.O1 | DS22.O1 | -32768..32767 | | Word addr 40811 |
| DS13.O2 | DS22.O2 | -32768..32767 | | Word addr 40812 |
| DS13.O3 | DS22.O3 | -32768..32767 | | Word addr 40813 |
| DS15.O1 | DS24.O1 | -32768..32767 | | Word addr 40814 |
| DS15.O2 | DS24.O2 | -32768..32767 | | Word addr 40815 |
| DS15.O3 | DS24.O3 | -32768..32767 | | Word addr 40816 |

DESCRIPTION

| | | | | |
|---|------------|----------------------|------|------------|
| Firmware PE1364B Program Ver 20 | From-Från | Date-Datum | Reg. | Page-Sidan |
| | 2010-04-12 | | | 28 |
| Dealt with by-Utfördare | | Telephone-Telefon-nr | | |
| Sven-Erik Karlsson | | 187050 | | |

ModulBus(DDCS) – Modbus TCP converter PE1364B

DDCS Node 18 Signal list ModuleBus – Modbus TCP

| AC80 Data First DS=1 | AC80 Data First DS =10 | Value | Logged data to ModbusTCP → | Modbus TCP data |
|-------------------------|---------------------------|---------------|-------------------------------|-----------------|
| DS1.I1 | DS10.I1 | -32768..32767 | Data from SLAVE to AC80 | Word addr 40817 |
| DS1.I2 | DS10.I2 | -32768..32767 | | Word addr 40818 |
| DS1.I3 | DS10.I3 | -32768..32767 | | Word addr 40819 |
| DS3.I1 | DS12.I1 | -32768..32767 | | Word addr 40820 |
| DS3.I2 | DS12.I2 | -32768..32767 | | Word addr 40821 |
| DS3.I3 | DS12.I3 | -32768..32767 | | Word addr 40822 |
| DS5.I1 | DS14.I1 | -32768..32767 | | Word addr 40823 |
| DS5.I2 | DS14.I2 | -32768..32767 | | Word addr 40824 |
| DS5.I3 | DS14.I3 | -32768..32767 | | Word addr 40825 |
| DS7.I1 | DS16.I1 | -32768..32767 | | Word addr 40826 |
| DS7.I2 | DS16.I2 | -32768..32767 | | Word addr 40827 |
| DS7.I3 | DS16.I3 | -32768..32767 | | Word addr 40828 |
| DS9.I1 | DS18.I1 | -32768..32767 | | Word addr 40829 |
| DS9.I2 | DS18.I2 | -32768..32767 | | Word addr 40830 |
| DS9.I3 | DS18.I3 | -32768..32767 | | Word addr 40831 |
| DS11.I1 | DS20.I1 | -32768..32767 | | Word addr 40832 |
| DS11.I2 | DS20.I2 | -32768..32767 | | Word addr 40833 |
| DS11.I3 | DS20.I3 | -32768..32767 | | Word addr 40834 |
| DS13.I1 | DS22.I1 | -32768..32767 | | Word addr 40835 |
| DS13.I2 | DS22.I2 | -32768..32767 | | Word addr 40836 |
| DS13.I3 | DS22.I3 | -32768..32767 | | Word addr 40837 |
| DS15.I1 | DS24.I1 | -32768..32767 | | Word addr 40838 |
| DS15.I2 | DS24.I2 | -32768..32767 | | Word addr 40839 |
| DS15.I3 | DS24.I3 | -32768..32767 | | Word addr 40840 |
| DS1.O1 | DS10.O1 | -32768..32767 | Data from AC80 to SLAVE | Word addr 40841 |
| DS1.O2 | DS10.O2 | -32768..32767 | | Word addr 40842 |
| DS1.O3 | DS10.O3 | -32768..32767 | | Word addr 40843 |
| DS3.O1 | DS12.O1 | -32768..32767 | | Word addr 40844 |
| DS3.O2 | DS12.O2 | -32768..32767 | | Word addr 40845 |
| DS3.O3 | DS12.O3 | -32768..32767 | | Word addr 40846 |
| DS5.O1 | DS14.O1 | -32768..32767 | | Word addr 40847 |
| DS5.O2 | DS14.O2 | -32768..32767 | | Word addr 40848 |
| DS5.O3 | DS14.O3 | -32768..32767 | | Word addr 40849 |
| DS7.O1 | DS16.O1 | -32768..32767 | | Word addr 40855 |
| DS7.O2 | DS16.O2 | -32768..32767 | | Word addr 40851 |
| DS7.O3 | DS16.O3 | -32768..32767 | | Word addr 40852 |
| DS9.O1 | DS18.O1 | -32768..32767 | | Word addr 40853 |
| DS9.O2 | DS18.O2 | -32768..32767 | | Word addr 40854 |
| DS9.O3 | DS18.O3 | -32768..32767 | | Word addr 40855 |
| DS11.O1 | DS20.O1 | -32768..32767 | | Word addr 40856 |
| DS11.O2 | DS20.O2 | -32768..32767 | | Word addr 40857 |
| DS11.O3 | DS20.O3 | -32768..32767 | | Word addr 40858 |
| DS13.O1 | DS22.O1 | -32768..32767 | | Word addr 40859 |
| DS13.O2 | DS22.O2 | -32768..32767 | | Word addr 40860 |
| DS13.O3 | DS22.O3 | -32768..32767 | | Word addr 40861 |
| DS15.O1 | DS24.O1 | -32768..32767 | | Word addr 40862 |
| DS15.O2 | DS24.O2 | -32768..32767 | | Word addr 40863 |
| DS15.O3 | DS24.O3 | -32768..32767 | | Word addr 40864 |

DESCRIPTION

| | | | | |
|------------------------------------|-------------------------|----------------------|------|-------------------------|
| Firmware PE1364B Program Ver 20 | From-Från | Date-Datum | Reg. | Page-Sidan 29 |
| | 2010-04-12 | | | |
| | Dealt with by-Utfördare | Telephone-Telefon-nr | | |
| | Sven-Erik Karlsson | 187050 | | |

ModulBus(DDCS) – Modbus TCP converter PE1364B

Status signals ModuleBus – Modbus TCP

| Status byte | Status to ModbusTCP | Modbus TCP data |
|---|---------------------|--|
| 0=No comm. 1=Master poll,3=Master poll and Slave answer | → | This is the Default addr Can be changed from Service program. |
| Node 1 (bit 0, 1) Node 2 bit (2, 3) Node 3 (bit 4, 5) Node 4 bit (6, 7) Node 5 (bit 8, 9) Node 6 bit (10,11) Node 7 (bit12,13) Node 8 bit (14,15) | | Word addr 40865 |
| Node 9(bit 0, 1) Node 10 bit (2, 3) Node 11(bit 4, 5) Node 12 bit (6, 7) Node 13(bit 8, 9) Node 14 bit (10,11) Node 15(bit12,13) Node 16 bit (14,15) | | Word addr 40866 |
| Node 17(bit 0, 1) Node 18 bit (2, 3) | | Word addr 40867 |
| Display value of RS232 RX signal. | See below | Word addr 40872 |
| Timer (incrementing +1 each 10ms) | | Word addr 40873 |
| PE1364B Version | 20 | Word addr 40874 Low byte |
| Cardtype =64 for PE1364B | 64 | Word addr 40874 High byte |

SYNCH INPUT Signal.

From ModbusTCP it is possible to Read status on RS232 RX (PIN 3).
 SYNCH INPUT signal max 12V and min -12V.
 0V INPUT on PIN 5 in the RS232 connector
 Signal goes from 0 to 1 approx at input level of +1,4V.
 Signal can be read at 40872 bit number 0.

PROCESSELEKTRONIK AB

Ref.
PE1364B/V11

DESCRIPTION

| | | | | |
|------------------------------------|------------|----------------------|------|------------|
| Firmware PE1364B Program Ver 20 | From-Från | Date-Datum | Reg. | Page-Sidan |
| | 2010-04-12 | | | 30 |
| Dealt with by-Utfärdare | | Telephone-Telefon-nr | | |
| Sven-Erik Karlsson | | 187050 | | |

ModulBus(DDCS) – Modbus TCP converter PE1364B

**Node 1, Signal mapping when acting as Slave on DDCS, only for node 1-3
This mapping is selected if DIP S1.6 is Off**

| AC80 Data First DS=1 | AC80 Data First DS =10 | Value | Logged data to ModbusTCP | Modbus TCP data |
|-------------------------|---------------------------|---------------|--------------------------|-----------------|
| DS1.11 | DS10.11 | -32768..32767 | Data to AC80 | Word addr 41025 |
| DS1.12 | DS10.12 | -32768..32767 | | Word addr 41026 |
| DS1.13 | DS10.13 | -32768..32767 | | Word addr 41027 |
| DS3.11 | DS12.11 | -32768..32767 | | Word addr 41028 |
| DS3.12 | DS12.12 | -32768..32767 | | Word addr 41029 |
| DS3.13 | DS12.13 | -32768..32767 | | Word addr 41030 |
| DS5.11 | DS14.11 | -32768..32767 | | Word addr 41031 |
| DS5.12 | DS14.12 | -32768..32767 | | Word addr 41032 |
| DS5.13 | DS14.13 | -32768..32767 | | Word addr 41033 |
| DS7.11 | DS16.11 | -32768..32767 | | Word addr 41034 |
| DS7.12 | DS16.12 | -32768..32767 | | Word addr 41035 |
| DS7.13 | DS16.13 | -32768..32767 | | Word addr 41036 |
| DS9.11 | DS18.11 | -32768..32767 | | Word addr 41037 |
| DS9.12 | DS18.12 | -32768..32767 | | Word addr 41038 |
| DS9.13 | DS18.13 | -32768..32767 | | Word addr 41039 |
| DS11.11 | DS20.11 | -32768..32767 | | Word addr 41040 |
| DS11.12 | DS20.12 | -32768..32767 | | Word addr 41041 |
| DS11.13 | DS20.13 | -32768..32767 | | Word addr 41042 |
| DS13.11 | DS22.11 | -32768..32767 | | Word addr 41043 |
| DS13.12 | DS22.12 | -32768..32767 | | Word addr 41044 |
| DS13.13 | DS22.13 | -32768..32767 | | Word addr 41045 |
| DS15.11 | DS24.11 | -32768..32767 | | Word addr 41046 |
| DS15.12 | DS24.12 | -32768..32767 | | Word addr 41047 |
| DS15.13 | DS24.13 | -32768..32767 | | Word addr 41048 |
| DS17.11 | DS26.11 | -32768..32767 | | Word addr 41049 |
| DS17.12 | DS26.12 | -32768..32767 | | Word addr 41050 |
| DS17.13 | DS26.13 | -32768..32767 | | Word addr 41051 |
| DS19.11 | DS28.11 | -32768..32767 | | Word addr 41052 |
| DS19.12 | DS28.12 | -32768..32767 | | Word addr 41053 |
| DS19.13 | DS28.13 | -32768..32767 | | Word addr 41054 |
| DS21.11 | DS30.11 | -32768..32767 | | Word addr 41055 |
| DS21.12 | DS30.12 | -32768..32767 | | Word addr 41056 |
| DS21.13 | DS30.13 | -32768..32767 | | Word addr 41057 |
| DS23.11 | DS32.11 | -32768..32767 | | Word addr 41058 |
| DS23.12 | DS32.12 | -32768..32767 | | Word addr 41059 |
| DS23.13 | DS32.13 | -32768..32767 | | Word addr 41060 |
| DS25.11 | DS34.11 | -32768..32767 | | Word addr 41061 |
| DS25.12 | DS34.12 | -32768..32767 | | Word addr 41062 |
| DS25.13 | DS34.13 | -32768..32767 | | Word addr 41063 |
| DS27.11 | DS36.11 | -32768..32767 | | Word addr 41064 |
| DS27.12 | DS36.12 | -32768..32767 | | Word addr 41065 |
| DS27.13 | DS36.13 | -32768..32767 | | Word addr 41066 |
| DS29.11 | DS38.11 | -32768..32767 | | Word addr 41067 |
| DS29.12 | DS38.12 | -32768..32767 | | Word addr 41068 |
| DS29.13 | DS38.13 | -32768..32767 | | Word addr 41069 |
| DS31.11 | DS40.11 | -32768..32767 | | Word addr 41070 |
| DS31.12 | DS40.12 | -32768..32767 | | Word addr 41071 |
| DS31.13 | DS40.13 | -32768..32767 | | Word addr 41072 |

DESCRIPTION

| | | | | |
|------------------------------------|----------------------|------------|------|------------|
| Firmware PE1364B Program Ver 20 | From-Från | Date-Datum | Reg. | Page-Sidan |
| | 2010-04-12 | | | 31 |
| Dealt with by-Utfärdare | Telephone-Telefon-nr | | | |
| Sven-Erik Karlsson | | 187050 | | |

ModulBus(DDCS) – Modbus TCP converter PE1364B

**Node 1, Signal mapping when acting as Slave on DDCS, only for node 1-3
This mapping is selected if DIP S1.6 is Off**

| AC80 Data | AC80 Data | Value | Logged data to ModbusTCP | Modbus TCP data |
|------------|--------------|---------------|--------------------------|-----------------|
| First DS=1 | First DS =10 | | | |
| DS1.11 | DS10.11 | -32768..32767 | Data from AC80 | Word addr 40001 |
| DS1.12 | DS10.12 | -32768..32767 | | Word addr 40002 |
| DS1.13 | DS10.13 | -32768..32767 | | Word addr 40003 |
| DS3.11 | DS12.11 | -32768..32767 | | Word addr 40004 |
| DS3.12 | DS12.12 | -32768..32767 | | Word addr 40005 |
| DS3.13 | DS12.13 | -32768..32767 | | Word addr 40006 |
| DS5.11 | DS14.11 | -32768..32767 | | Word addr 40007 |
| DS5.12 | DS14.12 | -32768..32767 | | Word addr 40008 |
| DS5.13 | DS14.13 | -32768..32767 | | Word addr 40009 |
| DS7.11 | DS16.11 | -32768..32767 | | Word addr 40010 |
| DS7.12 | DS16.12 | -32768..32767 | | Word addr 40011 |
| DS7.13 | DS16.13 | -32768..32767 | | Word addr 40012 |
| DS9.11 | DS18.11 | -32768..32767 | | Word addr 40013 |
| DS9.12 | DS18.12 | -32768..32767 | | Word addr 40014 |
| DS9.13 | DS18.13 | -32768..32767 | | Word addr 40015 |
| DS11.11 | DS20.11 | -32768..32767 | | Word addr 40016 |
| DS11.12 | DS20.12 | -32768..32767 | | Word addr 40017 |
| DS11.13 | DS20.13 | -32768..32767 | | Word addr 40018 |
| DS13.11 | DS22.11 | -32768..32767 | | Word addr 40019 |
| DS13.12 | DS22.12 | -32768..32767 | | Word addr 40020 |
| DS13.13 | DS22.13 | -32768..32767 | | Word addr 40021 |
| DS15.11 | DS24.11 | -32768..32767 | | Word addr 40022 |
| DS15.12 | DS24.12 | -32768..32767 | | Word addr 40023 |
| DS15.13 | DS24.13 | -32768..32767 | | Word addr 40024 |
| DS17.11 | DS26.11 | -32768..32767 | | Word addr 40025 |
| DS17.12 | DS26.12 | -32768..32767 | | Word addr 40026 |
| DS17.13 | DS26.13 | -32768..32767 | | Word addr 40027 |
| DS19.11 | DS28.11 | -32768..32767 | | Word addr 40028 |
| DS19.12 | DS28.12 | -32768..32767 | | Word addr 40029 |
| DS19.13 | DS28.13 | -32768..32767 | | Word addr 40030 |
| DS21.11 | DS30.11 | -32768..32767 | | Word addr 40031 |
| DS21.12 | DS30.12 | -32768..32767 | | Word addr 40032 |
| DS21.13 | DS30.13 | -32768..32767 | | Word addr 40033 |
| DS23.11 | DS32.11 | -32768..32767 | | Word addr 40034 |
| DS23.12 | DS32.12 | -32768..32767 | | Word addr 40035 |
| DS23.13 | DS32.13 | -32768..32767 | | Word addr 40036 |
| DS25.11 | DS34.11 | -32768..32767 | | Word addr 40037 |
| DS25.12 | DS34.12 | -32768..32767 | | Word addr 40038 |
| DS25.13 | DS34.13 | -32768..32767 | | Word addr 40039 |
| DS27.11 | DS36.11 | -32768..32767 | | Word addr 40040 |
| DS27.12 | DS36.12 | -32768..32767 | | Word addr 40041 |
| DS27.13 | DS36.13 | -32768..32767 | | Word addr 40042 |
| DS29.11 | DS38.11 | -32768..32767 | | Word addr 40043 |
| DS29.12 | DS38.12 | -32768..32767 | | Word addr 40044 |
| DS29.13 | DS38.13 | -32768..32767 | | Word addr 40045 |
| DS31.11 | DS40.11 | -32768..32767 | | Word addr 40046 |
| DS31.12 | DS40.12 | -32768..32767 | | Word addr 40047 |
| DS31.13 | DS40.13 | -32768..32767 | | Word addr 40048 |

DESCRIPTION

| | | | | |
|------------------------------------|----------------------|------------|------|------------|
| Firmware PE1364B Program Ver 20 | From-Från | Date-Datum | Reg. | Page-Sidan |
| | 2010-04-12 | | | 32 |
| Dealt with by-Utfärdare | Telephone-Telefon-nr | | | |
| Sven-Erik Karlsson | | 187050 | | |

ModulBus(DDCS) – Modbus TCP converter PE1364B

**Node 1, Signal mapping when acting as Slave on DDCS, only for node 1-3
This mapping is selected if DIP S1.6 is Off**

| AC80 Data First DS=1 | AC80 Data First DS =10 | Value | Logged data to ModbusTCP | Modbus TCP data |
|-------------------------|---------------------------|---------------|--------------------------|-----------------|
| DS1.11 | DS10.11 | -32768..32767 | Data to AC80 | Word addr 41025 |
| DS1.12 | DS10.12 | -32768..32767 | | Word addr 41026 |
| DS1.13 | DS10.13 | -32768..32767 | | Word addr 41027 |
| DS3.11 | DS12.11 | -32768..32767 | | Word addr 41028 |
| DS3.12 | DS12.12 | -32768..32767 | | Word addr 41029 |
| DS3.13 | DS12.13 | -32768..32767 | | Word addr 41030 |
| DS5.11 | DS14.11 | -32768..32767 | | Word addr 41031 |
| DS5.12 | DS14.12 | -32768..32767 | | Word addr 41032 |
| DS5.13 | DS14.13 | -32768..32767 | | Word addr 41033 |
| DS7.11 | DS16.11 | -32768..32767 | | Word addr 41034 |
| DS7.12 | DS16.12 | -32768..32767 | | Word addr 41035 |
| DS7.13 | DS16.13 | -32768..32767 | | Word addr 41036 |
| DS9.11 | DS18.11 | -32768..32767 | | Word addr 41037 |
| DS9.12 | DS18.12 | -32768..32767 | | Word addr 41038 |
| DS9.13 | DS18.13 | -32768..32767 | | Word addr 41039 |
| DS11.11 | DS20.11 | -32768..32767 | | Word addr 41040 |
| DS11.12 | DS20.12 | -32768..32767 | | Word addr 41041 |
| DS11.13 | DS20.13 | -32768..32767 | | Word addr 41042 |
| DS13.11 | DS22.11 | -32768..32767 | | Word addr 41043 |
| DS13.12 | DS22.12 | -32768..32767 | | Word addr 41044 |
| DS13.13 | DS22.13 | -32768..32767 | | Word addr 41045 |
| DS15.11 | DS24.11 | -32768..32767 | | Word addr 41046 |
| DS15.12 | DS24.12 | -32768..32767 | | Word addr 41047 |
| DS15.13 | DS24.13 | -32768..32767 | | Word addr 41048 |
| DS17.11 | DS26.11 | -32768..32767 | | Word addr 41049 |
| DS17.12 | DS26.12 | -32768..32767 | | Word addr 41050 |
| DS17.13 | DS26.13 | -32768..32767 | | Word addr 41051 |
| DS19.11 | DS28.11 | -32768..32767 | | Word addr 41052 |
| DS19.12 | DS28.12 | -32768..32767 | | Word addr 41053 |
| DS19.13 | DS28.13 | -32768..32767 | | Word addr 41054 |
| DS21.11 | DS30.11 | -32768..32767 | | Word addr 41055 |
| DS21.12 | DS30.12 | -32768..32767 | | Word addr 41056 |
| DS21.13 | DS30.13 | -32768..32767 | | Word addr 41057 |
| DS23.11 | DS32.11 | -32768..32767 | | Word addr 41058 |
| DS23.12 | DS32.12 | -32768..32767 | | Word addr 41059 |
| DS23.13 | DS32.13 | -32768..32767 | | Word addr 41060 |
| DS25.11 | DS34.11 | -32768..32767 | | Word addr 41061 |
| DS25.12 | DS34.12 | -32768..32767 | | Word addr 41062 |
| DS25.13 | DS34.13 | -32768..32767 | | Word addr 41063 |
| DS27.11 | DS36.11 | -32768..32767 | | Word addr 41064 |
| DS27.12 | DS36.12 | -32768..32767 | | Word addr 41065 |
| DS27.13 | DS36.13 | -32768..32767 | | Word addr 41066 |
| DS29.11 | DS38.11 | -32768..32767 | | Word addr 41067 |
| DS29.12 | DS38.12 | -32768..32767 | | Word addr 41068 |
| DS29.13 | DS38.13 | -32768..32767 | | Word addr 41069 |
| DS31.11 | DS40.11 | -32768..32767 | | Word addr 41070 |
| DS31.12 | DS40.12 | -32768..32767 | | Word addr 41071 |
| DS31.13 | DS40.13 | -32768..32767 | | Word addr 41072 |

PROCESSELEKTRONIK AB

Ref.
PE1364B/V11

DESCRIPTION

| | | | | |
|------------------------------------|------------|----------------------|------|------------|
| Firmware PE1364B Program Ver 20 | From-Från | Date-Datum | Reg. | Page-Sidan |
| | 2010-04-12 | | | 33 |
| Dealt with by-Utfärdare | | Telephone-Telefon-nr | | |
| Sven-Erik Karlsson | | 187050 | | |

ModulBus(DDCS) – Modbus TCP converter PE1364B

**Node 2 Signal mapping when acting as Slave on DDCS, only for node 1-3
This mapping is selected if DIP S1.6 is Off**

| AC80 Data First DS=1 | AC80 Data First DS =10 | Value | Logged data to ModbusTCP | Modbus TCP data |
|-------------------------|---------------------------|---------------|--------------------------|-----------------|
| DS1.11 | DS10.11 | -32768..32767 | Data from AC80 | Word addr 40049 |
| DS1.12 | DS10.12 | -32768..32767 | | Word addr 40050 |
| DS1.13 | DS10.13 | -32768..32767 | | Word addr 40051 |
| DS3.11 | DS12.11 | -32768..32767 | | Word addr 40052 |
| DS3.12 | DS12.12 | -32768..32767 | | Word addr 40053 |
| DS3.13 | DS12.13 | -32768..32767 | | Word addr 40054 |
| DS5.11 | DS14.11 | -32768..32767 | | Word addr 40055 |
| DS5.12 | DS14.12 | -32768..32767 | | Word addr 40056 |
| DS5.13 | DS14.13 | -32768..32767 | | Word addr 40057 |
| DS7.11 | DS16.11 | -32768..32767 | | Word addr 40058 |
| DS7.12 | DS16.12 | -32768..32767 | | Word addr 40059 |
| DS7.13 | DS16.13 | -32768..32767 | | Word addr 40060 |
| DS9.11 | DS18.11 | -32768..32767 | | Word addr 40061 |
| DS9.12 | DS18.12 | -32768..32767 | | Word addr 40062 |
| DS9.13 | DS18.13 | -32768..32767 | | Word addr 40063 |
| DS11.11 | DS20.11 | -32768..32767 | | Word addr 40064 |
| DS11.12 | DS20.12 | -32768..32767 | | Word addr 40065 |
| DS11.13 | DS20.13 | -32768..32767 | | Word addr 40066 |
| DS13.11 | DS22.11 | -32768..32767 | | Word addr 40067 |
| DS13.12 | DS22.12 | -32768..32767 | | Word addr 40068 |
| DS13.13 | DS22.13 | -32768..32767 | | Word addr 40069 |
| DS15.11 | DS24.11 | -32768..32767 | | Word addr 40070 |
| DS15.12 | DS24.12 | -32768..32767 | | Word addr 40071 |
| DS15.13 | DS24.13 | -32768..32767 | | Word addr 40072 |
| DS17.11 | DS26.11 | -32768..32767 | | Word addr 40073 |
| DS17.12 | DS26.12 | -32768..32767 | | Word addr 40074 |
| DS17.13 | DS26.13 | -32768..32767 | | Word addr 40075 |
| DS19.11 | DS28.11 | -32768..32767 | | Word addr 40076 |
| DS19.12 | DS28.12 | -32768..32767 | | Word addr 40077 |
| DS19.13 | DS28.13 | -32768..32767 | | Word addr 40078 |
| DS21.11 | DS30.11 | -32768..32767 | | Word addr 40079 |
| DS21.12 | DS30.12 | -32768..32767 | | Word addr 40080 |
| DS21.13 | DS30.13 | -32768..32767 | | Word addr 40081 |
| DS23.11 | DS32.11 | -32768..32767 | | Word addr 40082 |
| DS23.12 | DS32.12 | -32768..32767 | | Word addr 40083 |
| DS23.13 | DS32.13 | -32768..32767 | | Word addr 40084 |
| DS25.11 | DS34.11 | -32768..32767 | | Word addr 40085 |
| DS25.12 | DS34.12 | -32768..32767 | | Word addr 40086 |
| DS25.13 | DS34.13 | -32768..32767 | | Word addr 40087 |
| DS27.11 | DS36.11 | -32768..32767 | | Word addr 40088 |
| DS27.12 | DS36.12 | -32768..32767 | | Word addr 40089 |
| DS27.13 | DS36.13 | -32768..32767 | | Word addr 40090 |
| DS29.11 | DS38.11 | -32768..32767 | | Word addr 40091 |
| DS29.12 | DS38.12 | -32768..32767 | | Word addr 40092 |
| DS29.13 | DS38.13 | -32768..32767 | | Word addr 40093 |
| DS31.11 | DS40.11 | -32768..32767 | | Word addr 40094 |
| DS31.12 | DS40.12 | -32768..32767 | | Word addr 40095 |
| DS31.13 | DS40.13 | -32768..32767 | | Word addr 40096 |

DESCRIPTION

| | | | | |
|------------------------------------|----------------------|------------|------|------------|
| Firmware PE1364B Program Ver 20 | From-Från | Date-Datum | Reg. | Page-Sidan |
| | 2010-04-12 | | | 34 |
| Dealt with by-Utfärdare | Telephone-Telefon-nr | | | |
| Sven-Erik Karlsson | | 187050 | | |

ModulBus(DDCS) – Modbus TCP converter PE1364B

**Node 2 Signal mapping when acting as Slave on DDCS, only for node 1-3
This mapping is selected if DIP S1.6 is Off**

| AC80 Data First DS=1 | AC80 Data First DS =10 | Value | Logged data to ModbusTCP | Modbus TCP data |
|-------------------------|---------------------------|---------------|--------------------------|-----------------|
| DS1.11 | DS10.11 | -32768..32767 | Data to AC80 | Word addr 41073 |
| DS1.12 | DS10.12 | -32768..32767 | | Word addr 41074 |
| DS1.13 | DS10.13 | -32768..32767 | | Word addr 41075 |
| DS3.11 | DS12.11 | -32768..32767 | | Word addr 41076 |
| DS3.12 | DS12.12 | -32768..32767 | | Word addr 41077 |
| DS3.13 | DS12.13 | -32768..32767 | | Word addr 41078 |
| DS5.11 | DS14.11 | -32768..32767 | | Word addr 41079 |
| DS5.12 | DS14.12 | -32768..32767 | | Word addr 41080 |
| DS5.13 | DS14.13 | -32768..32767 | | Word addr 41081 |
| DS7.11 | DS16.11 | -32768..32767 | | Word addr 41082 |
| DS7.12 | DS16.12 | -32768..32767 | | Word addr 41083 |
| DS7.13 | DS16.13 | -32768..32767 | | Word addr 41084 |
| DS9.11 | DS18.11 | -32768..32767 | | Word addr 41085 |
| DS9.12 | DS18.12 | -32768..32767 | | Word addr 41086 |
| DS9.13 | DS18.13 | -32768..32767 | | Word addr 41087 |
| DS11.11 | DS20.11 | -32768..32767 | | Word addr 41088 |
| DS11.12 | DS20.12 | -32768..32767 | | Word addr 41089 |
| DS11.13 | DS20.13 | -32768..32767 | | Word addr 41090 |
| DS13.11 | DS22.11 | -32768..32767 | | Word addr 41091 |
| DS13.12 | DS22.12 | -32768..32767 | | Word addr 41092 |
| DS13.13 | DS22.13 | -32768..32767 | | Word addr 41093 |
| DS15.11 | DS24.11 | -32768..32767 | | Word addr 41094 |
| DS15.12 | DS24.12 | -32768..32767 | | Word addr 41095 |
| DS15.13 | DS24.13 | -32768..32767 | | Word addr 41096 |
| DS17.11 | DS26.11 | -32768..32767 | | Word addr 41097 |
| DS17.12 | DS26.12 | -32768..32767 | | Word addr 41098 |
| DS17.13 | DS26.13 | -32768..32767 | | Word addr 41099 |
| DS19.11 | DS28.11 | -32768..32767 | | Word addr 41100 |
| DS19.12 | DS28.12 | -32768..32767 | | Word addr 41101 |
| DS19.13 | DS28.13 | -32768..32767 | | Word addr 41102 |
| DS21.11 | DS30.11 | -32768..32767 | | Word addr 41103 |
| DS21.12 | DS30.12 | -32768..32767 | | Word addr 41104 |
| DS21.13 | DS30.13 | -32768..32767 | | Word addr 41105 |
| DS23.11 | DS32.11 | -32768..32767 | | Word addr 41106 |
| DS23.12 | DS32.12 | -32768..32767 | | Word addr 41107 |
| DS23.13 | DS32.13 | -32768..32767 | | Word addr 41108 |
| DS25.11 | DS34.11 | -32768..32767 | | Word addr 41109 |
| DS25.12 | DS34.12 | -32768..32767 | | Word addr 41110 |
| DS25.13 | DS34.13 | -32768..32767 | | Word addr 41111 |
| DS27.11 | DS36.11 | -32768..32767 | | Word addr 41112 |
| DS27.12 | DS36.12 | -32768..32767 | | Word addr 41113 |
| DS27.13 | DS36.13 | -32768..32767 | | Word addr 41114 |
| DS29.11 | DS38.11 | -32768..32767 | | Word addr 41115 |
| DS29.12 | DS38.12 | -32768..32767 | | Word addr 41116 |
| DS29.13 | DS38.13 | -32768..32767 | | Word addr 41117 |
| DS31.11 | DS40.11 | -32768..32767 | | Word addr 41118 |
| DS31.12 | DS40.12 | -32768..32767 | | Word addr 41119 |
| DS31.13 | DS40.13 | -32768..32767 | | Word addr 41120 |

DESCRIPTION

| | | | | |
|------------------------------------|----------------------|------------|------|------------|
| Firmware PE1364B Program Ver 20 | From-Från | Date-Datum | Reg. | Page-Sidan |
| | 2010-04-12 | | | 35 |
| Dealt with by-Utfärdare | Telephone-Telefon-nr | | | |
| Sven-Erik Karlsson | | 187050 | | |

ModulBus(DDCS) – Modbus TCP converter PE1364B

**Node 3 Signal mapping when acting as Slave on DDCS, only for node 1-3
This mapping is selected if DIP S1.6 is Off**

| AC80 Data First DS=1 | AC80 Data First DS =10 | Value | Logged data to ModbusTCP | Modbus TCP data |
|-------------------------|---------------------------|---------------|--------------------------|-----------------|
| DS1.11 | DS10.11 | -32768..32767 | Data from AC80 | Word addr 40097 |
| DS1.12 | DS10.12 | -32768..32767 | | Word addr 40098 |
| DS1.13 | DS10.13 | -32768..32767 | | Word addr 40099 |
| DS3.11 | DS12.11 | -32768..32767 | | Word addr 40100 |
| DS3.12 | DS12.12 | -32768..32767 | | Word addr 40101 |
| DS3.13 | DS12.13 | -32768..32767 | | Word addr 40102 |
| DS5.11 | DS14.11 | -32768..32767 | | Word addr 40103 |
| DS5.12 | DS14.12 | -32768..32767 | | Word addr 40104 |
| DS5.13 | DS14.13 | -32768..32767 | | Word addr 40105 |
| DS7.11 | DS16.11 | -32768..32767 | | Word addr 40106 |
| DS7.12 | DS16.12 | -32768..32767 | | Word addr 40107 |
| DS7.13 | DS16.13 | -32768..32767 | | Word addr 40108 |
| DS9.11 | DS18.11 | -32768..32767 | | Word addr 40109 |
| DS9.12 | DS18.12 | -32768..32767 | | Word addr 40110 |
| DS9.13 | DS18.13 | -32768..32767 | | Word addr 40111 |
| DS11.11 | DS20.11 | -32768..32767 | | Word addr 40112 |
| DS11.12 | DS20.12 | -32768..32767 | | Word addr 40113 |
| DS11.13 | DS20.13 | -32768..32767 | | Word addr 40114 |
| DS13.11 | DS22.11 | -32768..32767 | | Word addr 40115 |
| DS13.12 | DS22.12 | -32768..32767 | | Word addr 40116 |
| DS13.13 | DS22.13 | -32768..32767 | | Word addr 40117 |
| DS15.11 | DS24.11 | -32768..32767 | | Word addr 40118 |
| DS15.12 | DS24.12 | -32768..32767 | | Word addr 40119 |
| DS15.13 | DS24.13 | -32768..32767 | | Word addr 40120 |
| DS17.11 | DS26.11 | -32768..32767 | | Word addr 40121 |
| DS17.12 | DS26.12 | -32768..32767 | | Word addr 40122 |
| DS17.13 | DS26.13 | -32768..32767 | | Word addr 40123 |
| DS19.11 | DS28.11 | -32768..32767 | | Word addr 40124 |
| DS19.12 | DS28.12 | -32768..32767 | | Word addr 40125 |
| DS19.13 | DS28.13 | -32768..32767 | | Word addr 40126 |
| DS21.11 | DS30.11 | -32768..32767 | | Word addr 40127 |
| DS21.12 | DS30.12 | -32768..32767 | | Word addr 40128 |
| DS21.13 | DS30.13 | -32768..32767 | | Word addr 40129 |
| DS23.11 | DS32.11 | -32768..32767 | | Word addr 40130 |
| DS23.12 | DS32.12 | -32768..32767 | | Word addr 40131 |
| DS23.13 | DS32.13 | -32768..32767 | | Word addr 40132 |
| DS25.11 | DS34.11 | -32768..32767 | | Word addr 40133 |
| DS25.12 | DS34.12 | -32768..32767 | | Word addr 40134 |
| DS25.13 | DS34.13 | -32768..32767 | | Word addr 40135 |
| DS27.11 | DS36.11 | -32768..32767 | | Word addr 40136 |
| DS27.12 | DS36.12 | -32768..32767 | | Word addr 40137 |
| DS27.13 | DS36.13 | -32768..32767 | | Word addr 40138 |
| DS29.11 | DS38.11 | -32768..32767 | | Word addr 40139 |
| DS29.12 | DS38.12 | -32768..32767 | | Word addr 40140 |
| DS29.13 | DS38.13 | -32768..32767 | | Word addr 40141 |
| DS31.11 | DS40.11 | -32768..32767 | | Word addr 40142 |
| DS31.12 | DS40.12 | -32768..32767 | | Word addr 40143 |
| DS31.13 | DS40.13 | -32768..32767 | | Word addr 40144 |

DESCRIPTION

| | | | | |
|------------------------------------|------------|----------------------|------|------------|
| Firmware PE1364B Program Ver 20 | From-Från | Date-Datum | Reg. | Page-Sidan |
| | 2010-04-12 | | | 36 |
| Dealt with by-Utfördare | | Telephone-Telefon-nr | | |
| Sven-Erik Karlsson | | 187050 | | |

ModulBus(DDCS) – Modbus TCP converter PE1364B

**Node 3, Signal mapping when acting as Slave on DDCS, only for node 1-3
This mapping is selected if DIP S1.6 is Off**

| AC80 Data | AC80 Data | Value | Logged data to ModbusTCP | Modbus TCP data |
|------------|--------------|---------------|--------------------------|-----------------|
| First DS=1 | First DS =10 | | | |
| DS1.11 | DS10.11 | -32768..32767 | Data to AC80 | Word addr 41121 |
| DS1.12 | DS10.12 | -32768..32767 | | Word addr 41122 |
| DS1.13 | DS10.13 | -32768..32767 | | Word addr 41123 |
| DS3.11 | DS12.11 | -32768..32767 | | Word addr 41124 |
| DS3.12 | DS12.12 | -32768..32767 | | Word addr 41125 |
| DS3.13 | DS12.13 | -32768..32767 | | Word addr 41126 |
| DS5.11 | DS14.11 | -32768..32767 | | Word addr 41127 |
| DS5.12 | DS14.12 | -32768..32767 | | Word addr 41128 |
| DS5.13 | DS14.13 | -32768..32767 | | Word addr 41129 |
| DS7.11 | DS16.11 | -32768..32767 | | Word addr 41130 |
| DS7.12 | DS16.12 | -32768..32767 | | Word addr 41131 |
| DS7.13 | DS16.13 | -32768..32767 | | Word addr 41132 |
| DS9.11 | DS18.11 | -32768..32767 | | Word addr 41133 |
| DS9.12 | DS18.12 | -32768..32767 | | Word addr 41134 |
| DS9.13 | DS18.13 | -32768..32767 | | Word addr 41135 |
| DS11.11 | DS20.11 | -32768..32767 | | Word addr 41136 |
| DS11.12 | DS20.12 | -32768..32767 | | Word addr 41137 |
| DS11.13 | DS20.13 | -32768..32767 | | Word addr 41138 |
| DS13.11 | DS22.11 | -32768..32767 | | Word addr 41139 |
| DS13.12 | DS22.12 | -32768..32767 | | Word addr 41140 |
| DS13.13 | DS22.13 | -32768..32767 | | Word addr 41141 |
| DS15.11 | DS24.11 | -32768..32767 | | Word addr 41142 |
| DS15.12 | DS24.12 | -32768..32767 | | Word addr 41143 |
| DS15.13 | DS24.13 | -32768..32767 | | Word addr 41144 |
| DS17.11 | DS26.11 | -32768..32767 | | Word addr 41145 |
| DS17.12 | DS26.12 | -32768..32767 | | Word addr 41146 |
| DS17.13 | DS26.13 | -32768..32767 | | Word addr 41147 |
| DS19.11 | DS28.11 | -32768..32767 | | Word addr 41148 |
| DS19.12 | DS28.12 | -32768..32767 | | Word addr 41149 |
| DS19.13 | DS28.13 | -32768..32767 | | Word addr 41150 |
| DS21.11 | DS30.11 | -32768..32767 | | Word addr 41151 |
| DS21.12 | DS30.12 | -32768..32767 | | Word addr 41152 |
| DS21.13 | DS30.13 | -32768..32767 | | Word addr 41153 |
| DS23.11 | DS32.11 | -32768..32767 | | Word addr 41154 |
| DS23.12 | DS32.12 | -32768..32767 | | Word addr 41155 |
| DS23.13 | DS32.13 | -32768..32767 | | Word addr 41156 |
| DS25.11 | DS34.11 | -32768..32767 | | Word addr 41157 |
| DS25.12 | DS34.12 | -32768..32767 | | Word addr 41158 |
| DS25.13 | DS34.13 | -32768..32767 | | Word addr 41159 |
| DS27.11 | DS36.11 | -32768..32767 | | Word addr 41160 |
| DS27.12 | DS36.12 | -32768..32767 | | Word addr 41161 |
| DS27.13 | DS36.13 | -32768..32767 | | Word addr 41162 |
| DS29.11 | DS38.11 | -32768..32767 | | Word addr 41163 |
| DS29.12 | DS38.12 | -32768..32767 | | Word addr 41164 |
| DS29.13 | DS38.13 | -32768..32767 | | Word addr 41165 |
| DS31.11 | DS40.11 | -32768..32767 | | Word addr 41166 |
| DS31.12 | DS40.12 | -32768..32767 | | Word addr 41167 |
| DS31.13 | DS40.13 | -32768..32767 | | Word addr 41168 |

PROCESSELEKTRONIK AB

Ref.
PE1364B/V11

DESCRIPTION

| | | | | |
|------------------------------------|-------------------------|----------------------|------|-------------------------|
| Firmware PE1364B Program Ver 20 | From-Från | Date-Datum | Reg. | Page-Sidan 37 |
| | 2010-04-12 | | | |
| | Dealt with by-Utfärdare | Telephone-Telefon-nr | | |
| | Sven-Erik Karlsson | 187050 | | |

ModulBus(DDCS) – Modbus TCP converter PE1364B

Node 1, Signal mapping when acting as Slave on DDCS, only for node 1-8, if DIP S1.6 is On

| AC80 Data ,Start DS1 | AC80 Data,Start DS10 | Value | Logged data to ModbusTCP | Modbus TCP data | |
|----------------------|----------------------|---------------|--------------------------|---------------------|-----------------|
| DS1.11 | DS10.11 | -32768..32767 | Data from AC80 | Word addr 40001 | |
| DS1.12 | DS10.12 | -32768..32767 | | Word addr 40002 | |
| DS1.13 | DS10.13 | -32768..32767 | | Word addr 40003 | |
| DS3.11 | DS12.11 | -32768..32767 | | Word addr 40004 | |
| DS3.12 | DS12.12 | -32768..32767 | | Word addr 40005 | |
| DS3.13 | DS12.13 | -32768..32767 | | Word addr 40006 | |
| DS5.11 | DS14.11 | -32768..32767 | | Word addr 40007 | |
| DS5.12 | DS14.12 | -32768..32767 | | Word addr 40008 | |
| DS5.13 | DS14.13 | -32768..32767 | | Word addr 40009 | |
| DS7.11 | DS16.11 | -32768..32767 | | Word addr 40010 | |
| DS7.12 | DS16.12 | -32768..32767 | | Word addr 40011 | |
| DS7.13 | DS16.13 | -32768..32767 | | Word addr 40012 | |
| DS9.11 | DS18.11 | -32768..32767 | | Word addr 40013 | |
| DS9.12 | DS18.12 | -32768..32767 | | Word addr 40014 | |
| DS9.13 | DS18.13 | -32768..32767 | | Word addr 40015 | |
| DS11.11 | DS20.11 | -32768..32767 | | Word addr 40016 | |
| DS11.12 | DS20.12 | -32768..32767 | | Word addr 40017 | |
| DS11.13 | DS20.13 | -32768..32767 | | Word addr 40018 | |
| DS13.11 | DS22.11 | -32768..32767 | | Word addr 40019 | |
| DS13.12 | DS22.12 | -32768..32767 | | Word addr 40020 | |
| DS13.13 | DS22.13 | -32768..32767 | | Word addr 40021 | |
| DS15.11 | DS24.11 | -32768..32767 | | Word addr 40022 | |
| DS15.12 | DS24.12 | -32768..32767 | | Word addr 40023 | |
| DS15.13 | DS24.13 | -32768..32767 | | Word addr 40024 | |
| DS17.11 | DS26.11 | -32768..32767 | | Word addr 40025 | |
| DS17.12 | DS26.12 | -32768..32767 | | Word addr 40026 | |
| DS17.13 | DS26.13 | -32768..32767 | | Word addr 40027 | |
| DS19.11 | DS28.11 | -32768..32767 | | Word addr 40028 | |
| DS19.12 | DS28.12 | -32768..32767 | | Word addr 40029 | |
| DS19.13 | DS28.13 | -32768..32767 | | Word addr 40030 | |
| | | | | Not used | Word addr 40031 |
| | | | | Not used | Word addr 40032 |
| DS1.11 | DS10.11 | -32768..32767 | | Data to AC80 | Word addr 41025 |
| DS1.12 | DS10.12 | -32768..32767 | | | Word addr 41026 |
| DS1.13 | DS10.13 | -32768..32767 | | | Word addr 41027 |
| DS3.11 | DS12.11 | -32768..32767 | | | Word addr 41028 |
| DS3.12 | DS12.12 | -32768..32767 | | | Word addr 41029 |
| DS3.13 | DS12.13 | -32768..32767 | | | Word addr 41030 |
| DS5.11 | DS14.11 | -32768..32767 | | | Word addr 41031 |
| DS5.12 | DS14.12 | -32768..32767 | | | Word addr 41032 |
| DS5.13 | DS14.13 | -32768..32767 | | | Word addr 41033 |
| DS7.11 | DS16.11 | -32768..32767 | | | Word addr 41034 |
| DS7.12 | DS16.12 | -32768..32767 | | | Word addr 41035 |
| DS7.13 | DS16.13 | -32768..32767 | | | Word addr 41036 |
| DS9.11 | DS18.11 | -32768..32767 | | | Word addr 41037 |
| DS9.12 | DS18.12 | -32768..32767 | | | Word addr 41038 |
| DS9.13 | DS18.13 | -32768..32767 | | | Word addr 41039 |
| DS11.11 | DS20.11 | -32768..32767 | | | Word addr 41040 |
| DS11.12 | DS20.12 | -32768..32767 | | | Word addr 41041 |
| DS11.13 | DS20.13 | -32768..32767 | Word addr 41042 | | |
| DS13.11 | DS22.11 | -32768..32767 | Word addr 41043 | | |
| DS13.12 | DS22.12 | -32768..32767 | Word addr 41044 | | |
| DS13.13 | DS22.13 | -32768..32767 | Word addr 41045 | | |
| DS15.11 | DS24.11 | -32768..32767 | Word addr 41046 | | |
| DS15.12 | DS24.12 | -32768..32767 | Word addr 41047 | | |
| DS15.13 | DS24.13 | -32768..32767 | Word addr 41048 | | |
| DS17.11 | DS26.11 | -32768..32767 | Word addr 41049 | | |
| DS17.12 | DS26.12 | -32768..32767 | Word addr 41050 | | |
| DS17.13 | DS26.13 | -32768..32767 | Word addr 41051 | | |
| DS19.11 | DS28.11 | -32768..32767 | Word addr 41052 | | |
| DS19.12 | DS28.12 | -32768..32767 | Word addr 41053 | | |
| DS19.13 | DS28.13 | -32768..32767 | Word addr 41054 | | |
| | | | Not used | Word addr 41055 | |
| | | | Not used | Word addr 41056 | |

PROCESSELEKTRONIK AB

Ref.
PE1364B/V11

DESCRIPTION

| | | | | |
|------------------------------------|-------------------------|----------------------|------|------------|
| Firmware PE1364B Program Ver 20 | From-Från | Date-Datum | Reg. | Page-Sidan |
| | Dealt with by-Utfärdare | Telephone-Telefon-nr | | 38 |
| | Sven-Erik Karlsson | 187050 | | |

ModulBus(DDCS) – Modbus TCP converter PE1364B

Node 2, Signal mapping when acting as Slave on DDCS, only for node 1-8, if DIP S1.6 is On

| AC80 Data ,Start DS1 | AC80 Data,Start DS10 | Value | Logged data to ModbusTCP | Modbus TCP data | |
|----------------------|----------------------|---------------|--------------------------|---------------------|-----------------|
| DS1.11 | DS10.11 | -32768..32767 | Data from AC80 | Word addr 40033 | |
| DS1.12 | DS10.12 | -32768..32767 | | Word addr 40034 | |
| DS1.13 | DS10.13 | -32768..32767 | | Word addr 40035 | |
| DS3.11 | DS12.11 | -32768..32767 | | Word addr 40036 | |
| DS3.12 | DS12.12 | -32768..32767 | | Word addr 40037 | |
| DS3.13 | DS12.13 | -32768..32767 | | Word addr 40038 | |
| DS5.11 | DS14.11 | -32768..32767 | | Word addr 40039 | |
| DS5.12 | DS14.12 | -32768..32767 | | Word addr 40040 | |
| DS5.13 | DS14.13 | -32768..32767 | | Word addr 40041 | |
| DS7.11 | DS16.11 | -32768..32767 | | Word addr 40042 | |
| DS7.12 | DS16.12 | -32768..32767 | | Word addr 40043 | |
| DS7.13 | DS16.13 | -32768..32767 | | Word addr 40044 | |
| DS9.11 | DS18.11 | -32768..32767 | | Word addr 40045 | |
| DS9.12 | DS18.12 | -32768..32767 | | Word addr 40046 | |
| DS9.13 | DS18.13 | -32768..32767 | | Word addr 40047 | |
| DS11.11 | DS20.11 | -32768..32767 | | Word addr 40048 | |
| DS11.12 | DS20.12 | -32768..32767 | | Word addr 40049 | |
| DS11.13 | DS20.13 | -32768..32767 | | Word addr 40050 | |
| DS13.11 | DS22.11 | -32768..32767 | | Word addr 40051 | |
| DS13.12 | DS22.12 | -32768..32767 | | Word addr 40052 | |
| DS13.13 | DS22.13 | -32768..32767 | | Word addr 40053 | |
| DS15.11 | DS24.11 | -32768..32767 | | Word addr 40054 | |
| DS15.12 | DS24.12 | -32768..32767 | | Word addr 40055 | |
| DS15.13 | DS24.13 | -32768..32767 | | Word addr 40056 | |
| DS17.11 | DS26.11 | -32768..32767 | | Word addr 40057 | |
| DS17.12 | DS26.12 | -32768..32767 | | Word addr 40058 | |
| DS17.13 | DS26.13 | -32768..32767 | | Word addr 40059 | |
| DS19.11 | DS28.11 | -32768..32767 | | Word addr 40060 | |
| DS19.12 | DS28.12 | -32768..32767 | | Word addr 40061 | |
| DS19.13 | DS28.13 | -32768..32767 | | Word addr 40062 | |
| | | | | Not used | Word addr 40063 |
| | | | | Not used | Word addr 40064 |
| DS1.11 | DS10.11 | -32768..32767 | | Data to AC80 | Word addr 41057 |
| DS1.12 | DS10.12 | -32768..32767 | | | Word addr 41058 |
| DS1.13 | DS10.13 | -32768..32767 | | | Word addr 41059 |
| DS3.11 | DS12.11 | -32768..32767 | | | Word addr 41060 |
| DS3.12 | DS12.12 | -32768..32767 | | | Word addr 41061 |
| DS3.13 | DS12.13 | -32768..32767 | | | Word addr 41062 |
| DS5.11 | DS14.11 | -32768..32767 | | | Word addr 41063 |
| DS5.12 | DS14.12 | -32768..32767 | | | Word addr 41064 |
| DS5.13 | DS14.13 | -32768..32767 | | | Word addr 41065 |
| DS7.11 | DS16.11 | -32768..32767 | | | Word addr 41066 |
| DS7.12 | DS16.12 | -32768..32767 | | | Word addr 41067 |
| DS7.13 | DS16.13 | -32768..32767 | | | Word addr 41068 |
| DS9.11 | DS18.11 | -32768..32767 | | | Word addr 41069 |
| DS9.12 | DS18.12 | -32768..32767 | | | Word addr 41070 |
| DS9.13 | DS18.13 | -32768..32767 | | | Word addr 41071 |
| DS11.11 | DS20.11 | -32768..32767 | | | Word addr 41072 |
| DS11.12 | DS20.12 | -32768..32767 | | | Word addr 41073 |
| DS11.13 | DS20.13 | -32768..32767 | Word addr 41074 | | |
| DS13.11 | DS22.11 | -32768..32767 | Word addr 41075 | | |
| DS13.12 | DS22.12 | -32768..32767 | Word addr 41076 | | |
| DS13.13 | DS22.13 | -32768..32767 | Word addr 41077 | | |
| DS15.11 | DS24.11 | -32768..32767 | Word addr 41078 | | |
| DS15.12 | DS24.12 | -32768..32767 | Word addr 41079 | | |
| DS15.13 | DS24.13 | -32768..32767 | Word addr 41080 | | |
| DS17.11 | DS26.11 | -32768..32767 | Word addr 41081 | | |
| DS17.12 | DS26.12 | -32768..32767 | Word addr 41082 | | |
| DS17.13 | DS26.13 | -32768..32767 | Word addr 41083 | | |
| DS19.11 | DS28.11 | -32768..32767 | Word addr 41084 | | |
| DS19.12 | DS28.12 | -32768..32767 | Word addr 41085 | | |
| DS19.13 | DS28.13 | -32768..32767 | Word addr 41086 | | |
| | | | Not used | | Word addr 41087 |
| | | | Not used | | Word addr 41088 |

PROCESSELEKTRONIK AB

Ref.
PE1364B/V11

DESCRIPTION

| | | | | |
|------------------------------------|-------------------------|----------------------|------|-------------------------|
| Firmware PE1364B Program Ver 20 | From-Från | Date-Datum | Reg. | Page-Sidan 39 |
| | 2010-04-12 | | | |
| | Dealt with by-Utfärdare | Telephone-Telefon-nr | | |
| | Sven-Erik Karlsson | 187050 | | |

ModulBus(DDCS) – Modbus TCP converter PE1364B

Node 3, Signal mapping when acting as Slave on DDCS, only for node 1-8, if DIP S1.6 is On

| AC80 Data ,Start DS1 | AC80 Data,Start DS10 | Value | Logged data to ModbusTCP | Modbus TCP data | |
|----------------------|----------------------|---------------|--------------------------|---------------------|-----------------|
| DS1.11 | DS10.11 | -32768..32767 | Data from AC80 | Word addr 40065 | |
| DS1.12 | DS10.12 | -32768..32767 | | Word addr 40066 | |
| DS1.13 | DS10.13 | -32768..32767 | | Word addr 40067 | |
| DS3.11 | DS12.11 | -32768..32767 | | Word addr 40068 | |
| DS3.12 | DS12.12 | -32768..32767 | | Word addr 40069 | |
| DS3.13 | DS12.13 | -32768..32767 | | Word addr 40070 | |
| DS5.11 | DS14.11 | -32768..32767 | | Word addr 40071 | |
| DS5.12 | DS14.12 | -32768..32767 | | Word addr 40072 | |
| DS5.13 | DS14.13 | -32768..32767 | | Word addr 40073 | |
| DS7.11 | DS16.11 | -32768..32767 | | Word addr 40074 | |
| DS7.12 | DS16.12 | -32768..32767 | | Word addr 40075 | |
| DS7.13 | DS16.13 | -32768..32767 | | Word addr 40076 | |
| DS9.11 | DS18.11 | -32768..32767 | | Word addr 40077 | |
| DS9.12 | DS18.12 | -32768..32767 | | Word addr 40078 | |
| DS9.13 | DS18.13 | -32768..32767 | | Word addr 40079 | |
| DS11.11 | DS20.11 | -32768..32767 | | Word addr 40080 | |
| DS11.12 | DS20.12 | -32768..32767 | | Word addr 40081 | |
| DS11.13 | DS20.13 | -32768..32767 | | Word addr 40082 | |
| DS13.11 | DS22.11 | -32768..32767 | | Word addr 40083 | |
| DS13.12 | DS22.12 | -32768..32767 | | Word addr 40084 | |
| DS13.13 | DS22.13 | -32768..32767 | | Word addr 40085 | |
| DS15.11 | DS24.11 | -32768..32767 | | Word addr 40086 | |
| DS15.12 | DS24.12 | -32768..32767 | | Word addr 40087 | |
| DS15.13 | DS24.13 | -32768..32767 | | Word addr 40088 | |
| DS17.11 | DS26.11 | -32768..32767 | | Word addr 40089 | |
| DS17.12 | DS26.12 | -32768..32767 | | Word addr 40090 | |
| DS17.13 | DS26.13 | -32768..32767 | | Word addr 40091 | |
| DS19.11 | DS28.11 | -32768..32767 | | Word addr 40092 | |
| DS19.12 | DS28.12 | -32768..32767 | | Word addr 40093 | |
| DS19.13 | DS28.13 | -32768..32767 | | Word addr 40094 | |
| | | | | Not used | Word addr 40095 |
| | | | | Not used | Word addr 40096 |
| DS1.11 | DS10.11 | -32768..32767 | | Data to AC80 | Word addr 41089 |
| DS1.12 | DS10.12 | -32768..32767 | | | Word addr 41090 |
| DS1.13 | DS10.13 | -32768..32767 | | | Word addr 41091 |
| DS3.11 | DS12.11 | -32768..32767 | | | Word addr 41092 |
| DS3.12 | DS12.12 | -32768..32767 | | | Word addr 41093 |
| DS3.13 | DS12.13 | -32768..32767 | | | Word addr 41094 |
| DS5.11 | DS14.11 | -32768..32767 | | | Word addr 41095 |
| DS5.12 | DS14.12 | -32768..32767 | | | Word addr 41096 |
| DS5.13 | DS14.13 | -32768..32767 | | | Word addr 41097 |
| DS7.11 | DS16.11 | -32768..32767 | | | Word addr 41098 |
| DS7.12 | DS16.12 | -32768..32767 | | | Word addr 41099 |
| DS7.13 | DS16.13 | -32768..32767 | | | Word addr 41100 |
| DS9.11 | DS18.11 | -32768..32767 | | | Word addr 41101 |
| DS9.12 | DS18.12 | -32768..32767 | | | Word addr 41102 |
| DS9.13 | DS18.13 | -32768..32767 | | | Word addr 41103 |
| DS11.11 | DS20.11 | -32768..32767 | | | Word addr 41104 |
| DS11.12 | DS20.12 | -32768..32767 | | | Word addr 41105 |
| DS11.13 | DS20.13 | -32768..32767 | Word addr 41106 | | |
| DS13.11 | DS22.11 | -32768..32767 | Word addr 41107 | | |
| DS13.12 | DS22.12 | -32768..32767 | Word addr 41108 | | |
| DS13.13 | DS22.13 | -32768..32767 | Word addr 41109 | | |
| DS15.11 | DS24.11 | -32768..32767 | Word addr 41110 | | |
| DS15.12 | DS24.12 | -32768..32767 | Word addr 41111 | | |
| DS15.13 | DS24.13 | -32768..32767 | Word addr 41112 | | |
| DS17.11 | DS26.11 | -32768..32767 | Word addr 41113 | | |
| DS17.12 | DS26.12 | -32768..32767 | Word addr 41114 | | |
| DS17.13 | DS26.13 | -32768..32767 | Word addr 41115 | | |
| DS19.11 | DS28.11 | -32768..32767 | Word addr 41116 | | |
| DS19.12 | DS28.12 | -32768..32767 | Word addr 41117 | | |
| DS19.13 | DS28.13 | -32768..32767 | Word addr 41118 | | |
| | | | Not used | | Word addr 41119 |
| | | | Not used | | Word addr 41120 |

DESCRIPTION

| | | | | |
|---|------------|----------------------|------|------------|
| Firmware PE1364B Program Ver 20 | From-Från | Date-Datum | Reg. | Page-Sidan |
| | 2010-04-12 | | | 40 |
| Dealt with by-Utfördare | | Telephone-Telefon-nr | | |
| Sven-Erik Karlsson | | 187050 | | |

ModulBus(DDCS) – Modbus TCP converter PE1364B

Node 4, Signal mapping when acting as Slave on DDCS, only for node 1-8, if DIP S1.6 is On

| AC80 Data ,Start DS1 | AC80 Data,Start DS10 | Value | Logged data to ModbusTCP | Modbus TCP data | |
|----------------------|----------------------|---------------|--------------------------|---------------------|-----------------|
| DS1.11 | DS10.11 | -32768..32767 | Data from AC80 | Word addr 40097 | |
| DS1.12 | DS10.12 | -32768..32767 | | Word addr 40098 | |
| DS1.13 | DS10.13 | -32768..32767 | | Word addr 40099 | |
| DS3.11 | DS12.11 | -32768..32767 | | Word addr 40100 | |
| DS3.12 | DS12.12 | -32768..32767 | | Word addr 40101 | |
| DS3.13 | DS12.13 | -32768..32767 | | Word addr 40102 | |
| DS5.11 | DS14.11 | -32768..32767 | | Word addr 40103 | |
| DS5.12 | DS14.12 | -32768..32767 | | Word addr 40104 | |
| DS5.13 | DS14.13 | -32768..32767 | | Word addr 40105 | |
| DS7.11 | DS16.11 | -32768..32767 | | Word addr 40106 | |
| DS7.12 | DS16.12 | -32768..32767 | | Word addr 40107 | |
| DS7.13 | DS16.13 | -32768..32767 | | Word addr 40108 | |
| DS9.11 | DS18.11 | -32768..32767 | | Word addr 40109 | |
| DS9.12 | DS18.12 | -32768..32767 | | Word addr 40110 | |
| DS9.13 | DS18.13 | -32768..32767 | | Word addr 40111 | |
| DS11.11 | DS20.11 | -32768..32767 | | Word addr 40112 | |
| DS11.12 | DS20.12 | -32768..32767 | | Word addr 40113 | |
| DS11.13 | DS20.13 | -32768..32767 | | Word addr 40114 | |
| DS13.11 | DS22.11 | -32768..32767 | | Word addr 40115 | |
| DS13.12 | DS22.12 | -32768..32767 | | Word addr 40116 | |
| DS13.13 | DS22.13 | -32768..32767 | | Word addr 40117 | |
| DS15.11 | DS24.11 | -32768..32767 | | Word addr 40118 | |
| DS15.12 | DS24.12 | -32768..32767 | | Word addr 40119 | |
| DS15.13 | DS24.13 | -32768..32767 | | Word addr 40120 | |
| DS17.11 | DS26.11 | -32768..32767 | | Word addr 40121 | |
| DS17.12 | DS26.12 | -32768..32767 | | Word addr 40122 | |
| DS17.13 | DS26.13 | -32768..32767 | | Word addr 40123 | |
| DS19.11 | DS28.11 | -32768..32767 | | Word addr 40124 | |
| DS19.12 | DS28.12 | -32768..32767 | | Word addr 40125 | |
| DS19.13 | DS28.13 | -32768..32767 | | Word addr 40126 | |
| | | | | Not used | Word addr 40127 |
| | | | | Not used | Word addr 40128 |
| DS1.11 | DS10.11 | -32768..32767 | | Data to AC80 | Word addr 41121 |
| DS1.12 | DS10.12 | -32768..32767 | | | Word addr 41122 |
| DS1.13 | DS10.13 | -32768..32767 | | | Word addr 41123 |
| DS3.11 | DS12.11 | -32768..32767 | | | Word addr 41124 |
| DS3.12 | DS12.12 | -32768..32767 | | | Word addr 41125 |
| DS3.13 | DS12.13 | -32768..32767 | | | Word addr 41126 |
| DS5.11 | DS14.11 | -32768..32767 | | | Word addr 41127 |
| DS5.12 | DS14.12 | -32768..32767 | | | Word addr 41128 |
| DS5.13 | DS14.13 | -32768..32767 | | | Word addr 41129 |
| DS7.11 | DS16.11 | -32768..32767 | | | Word addr 41130 |
| DS7.12 | DS16.12 | -32768..32767 | | | Word addr 41131 |
| DS7.13 | DS16.13 | -32768..32767 | | | Word addr 41132 |
| DS9.11 | DS18.11 | -32768..32767 | | | Word addr 41133 |
| DS9.12 | DS18.12 | -32768..32767 | | | Word addr 41134 |
| DS9.13 | DS18.13 | -32768..32767 | | | Word addr 41135 |
| DS11.11 | DS20.11 | -32768..32767 | | | Word addr 41136 |
| DS11.12 | DS20.12 | -32768..32767 | | | Word addr 41137 |
| DS11.13 | DS20.13 | -32768..32767 | Word addr 41138 | | |
| DS13.11 | DS22.11 | -32768..32767 | Word addr 41139 | | |
| DS13.12 | DS22.12 | -32768..32767 | Word addr 41140 | | |
| DS13.13 | DS22.13 | -32768..32767 | Word addr 41141 | | |
| DS15.11 | DS24.11 | -32768..32767 | Word addr 41142 | | |
| DS15.12 | DS24.12 | -32768..32767 | Word addr 41143 | | |
| DS15.13 | DS24.13 | -32768..32767 | Word addr 41144 | | |
| DS17.11 | DS26.11 | -32768..32767 | Word addr 41145 | | |
| DS17.12 | DS26.12 | -32768..32767 | Word addr 41146 | | |
| DS17.13 | DS26.13 | -32768..32767 | Word addr 41147 | | |
| DS19.11 | DS28.11 | -32768..32767 | Word addr 41148 | | |
| DS19.12 | DS28.12 | -32768..32767 | Word addr 41149 | | |
| DS19.13 | DS28.13 | -32768..32767 | Word addr 41150 | | |
| | | | Not used | Word addr 41151 | |
| | | | Not used | Word addr 41152 | |

PROCESSELEKTRONIK AB

Ref.
PE1364B/V11

DESCRIPTION

| | | | | |
|------------------------------------|-------------------------|----------------------|------|-------------------------|
| Firmware PE1364B Program Ver 20 | From-Från | Date-Datum | Reg. | Page-Sidan 41 |
| | 2010-04-12 | | | |
| | Dealt with by-Utfördare | Telephone-Telefon-nr | | |
| | Sven-Erik Karlsson | 187050 | | |

ModulBus(DDCS) – Modbus TCP converter PE1364B

Node 5, Signal mapping when acting as Slave on DDCS, only for node 1-8, if DIP S1.6 is On

| AC80 Data ,Start DS1 | AC80 Data,Start DS10 | Value | Logged data to ModbusTCP | Modbus TCP data |
|----------------------|----------------------|---------------|--------------------------|-----------------|
| DS1.11 | DS10.11 | -32768..32767 | Data from AC80 | Word addr 40129 |
| DS1.12 | DS10.12 | -32768..32767 | | Word addr 40130 |
| DS1.13 | DS10.13 | -32768..32767 | | Word addr 40131 |
| DS3.11 | DS12.11 | -32768..32767 | | Word addr 40132 |
| DS3.12 | DS12.12 | -32768..32767 | | Word addr 40133 |
| DS3.13 | DS12.13 | -32768..32767 | | Word addr 40134 |
| DS5.11 | DS14.11 | -32768..32767 | | Word addr 40135 |
| DS5.12 | DS14.12 | -32768..32767 | | Word addr 40136 |
| DS5.13 | DS14.13 | -32768..32767 | | Word addr 40137 |
| DS7.11 | DS16.11 | -32768..32767 | | Word addr 40138 |
| DS7.12 | DS16.12 | -32768..32767 | | Word addr 40139 |
| DS7.13 | DS16.13 | -32768..32767 | | Word addr 40140 |
| DS9.11 | DS18.11 | -32768..32767 | | Word addr 40141 |
| DS9.12 | DS18.12 | -32768..32767 | | Word addr 40142 |
| DS9.13 | DS18.13 | -32768..32767 | | Word addr 40143 |
| DS11.11 | DS20.11 | -32768..32767 | | Word addr 40144 |
| DS11.12 | DS20.12 | -32768..32767 | | Word addr 40145 |
| DS11.13 | DS20.13 | -32768..32767 | | Word addr 40146 |
| DS13.11 | DS22.11 | -32768..32767 | | Word addr 40147 |
| DS13.12 | DS22.12 | -32768..32767 | | Word addr 40148 |
| DS13.13 | DS22.13 | -32768..32767 | | Word addr 40149 |
| DS15.11 | DS24.11 | -32768..32767 | | Word addr 40150 |
| DS15.12 | DS24.12 | -32768..32767 | | Word addr 40151 |
| DS15.13 | DS24.13 | -32768..32767 | | Word addr 40152 |
| DS17.11 | DS26.11 | -32768..32767 | | Word addr 40153 |
| DS17.12 | DS26.12 | -32768..32767 | | Word addr 40154 |
| DS17.13 | DS26.13 | -32768..32767 | | Word addr 40155 |
| DS19.11 | DS28.11 | -32768..32767 | | Word addr 40156 |
| DS19.12 | DS28.12 | -32768..32767 | | Word addr 40157 |
| DS19.13 | DS28.13 | -32768..32767 | | Word addr 40158 |
| | | | Not used | Word addr 40159 |
| | | | Not used | Word addr 40160 |
| DS1.11 | DS10.11 | -32768..32767 | Data to AC80 | Word addr 41153 |
| DS1.12 | DS10.12 | -32768..32767 | | Word addr 41154 |
| DS1.13 | DS10.13 | -32768..32767 | | Word addr 41155 |
| DS3.11 | DS12.11 | -32768..32767 | | Word addr 41156 |
| DS3.12 | DS12.12 | -32768..32767 | | Word addr 41157 |
| DS3.13 | DS12.13 | -32768..32767 | | Word addr 41158 |
| DS5.11 | DS14.11 | -32768..32767 | | Word addr 41159 |
| DS5.12 | DS14.12 | -32768..32767 | | Word addr 41160 |
| DS5.13 | DS14.13 | -32768..32767 | | Word addr 41161 |
| DS7.11 | DS16.11 | -32768..32767 | | Word addr 41162 |
| DS7.12 | DS16.12 | -32768..32767 | | Word addr 41163 |
| DS7.13 | DS16.13 | -32768..32767 | | Word addr 41164 |
| DS9.11 | DS18.11 | -32768..32767 | | Word addr 41165 |
| DS9.12 | DS18.12 | -32768..32767 | | Word addr 41166 |
| DS9.13 | DS18.13 | -32768..32767 | | Word addr 41167 |
| DS11.11 | DS20.11 | -32768..32767 | | Word addr 41168 |
| DS11.12 | DS20.12 | -32768..32767 | | Word addr 41169 |
| DS11.13 | DS20.13 | -32768..32767 | | Word addr 41170 |
| DS13.11 | DS22.11 | -32768..32767 | | Word addr 41171 |
| DS13.12 | DS22.12 | -32768..32767 | | Word addr 41172 |
| DS13.13 | DS22.13 | -32768..32767 | | Word addr 41173 |
| DS15.11 | DS24.11 | -32768..32767 | | Word addr 41174 |
| DS15.12 | DS24.12 | -32768..32767 | | Word addr 41175 |
| DS15.13 | DS24.13 | -32768..32767 | | Word addr 41176 |
| DS17.11 | DS26.11 | -32768..32767 | | Word addr 41177 |
| DS17.12 | DS26.12 | -32768..32767 | | Word addr 41178 |
| DS17.13 | DS26.13 | -32768..32767 | | Word addr 41179 |
| DS19.11 | DS28.11 | -32768..32767 | | Word addr 41180 |
| DS19.12 | DS28.12 | -32768..32767 | | Word addr 41181 |
| DS19.13 | DS28.13 | -32768..32767 | | Word addr 41182 |
| | | | Not used | Word addr 41183 |
| | | | Not used | Word addr 41184 |

PROCESSELEKTRONIK AB

Ref.
PE1364B/V11

DESCRIPTION

| | | | | |
|------------------------------------|-------------------------|----------------------|------|-------------------------|
| Firmware PE1364B Program Ver 20 | From-Från | Date-Datum | Reg. | Page-Sidan 42 |
| | 2010-04-12 | | | |
| | Dealt with by-Utfärdare | Telephone-Telefon-nr | | |
| | Sven-Erik Karlsson | 187050 | | |

ModulBus(DDCS) – Modbus TCP converter PE1364B

Node 6, Signal mapping when acting as Slave on DDCS, only for node 1-8, if DIP S1.6 is On

| AC80 Data ,Start DS1 | AC80 Data,Start DS10 | Value | Logged data to ModbusTCP | Modbus TCP data |
|----------------------|----------------------|---------------|--------------------------|-----------------|
| DS1.11 | DS10.11 | -32768..32767 | Data from AC80 | Word addr 40161 |
| DS1.12 | DS10.12 | -32768..32767 | | Word addr 40162 |
| DS1.13 | DS10.13 | -32768..32767 | | Word addr 40163 |
| DS3.11 | DS12.11 | -32768..32767 | | Word addr 40164 |
| DS3.12 | DS12.12 | -32768..32767 | | Word addr 40165 |
| DS3.13 | DS12.13 | -32768..32767 | | Word addr 40166 |
| DS5.11 | DS14.11 | -32768..32767 | | Word addr 40167 |
| DS5.12 | DS14.12 | -32768..32767 | | Word addr 40168 |
| DS5.13 | DS14.13 | -32768..32767 | | Word addr 40169 |
| DS7.11 | DS16.11 | -32768..32767 | | Word addr 40170 |
| DS7.12 | DS16.12 | -32768..32767 | | Word addr 40171 |
| DS7.13 | DS16.13 | -32768..32767 | | Word addr 40172 |
| DS9.11 | DS18.11 | -32768..32767 | | Word addr 40173 |
| DS9.12 | DS18.12 | -32768..32767 | | Word addr 40174 |
| DS9.13 | DS18.13 | -32768..32767 | | Word addr 40175 |
| DS11.11 | DS20.11 | -32768..32767 | | Word addr 40176 |
| DS11.12 | DS20.12 | -32768..32767 | | Word addr 40177 |
| DS11.13 | DS20.13 | -32768..32767 | | Word addr 40178 |
| DS13.11 | DS22.11 | -32768..32767 | | Word addr 40179 |
| DS13.12 | DS22.12 | -32768..32767 | | Word addr 40180 |
| DS13.13 | DS22.13 | -32768..32767 | Word addr 40181 | |
| DS15.11 | DS24.11 | -32768..32767 | Word addr 40182 | |
| DS15.12 | DS24.12 | -32768..32767 | Word addr 40183 | |
| DS15.13 | DS24.13 | -32768..32767 | Word addr 40184 | |
| DS17.11 | DS26.11 | -32768..32767 | Word addr 40185 | |
| DS17.12 | DS26.12 | -32768..32767 | Word addr 40186 | |
| DS17.13 | DS26.13 | -32768..32767 | Word addr 40187 | |
| DS19.11 | DS28.11 | -32768..32767 | Word addr 40188 | |
| DS19.12 | DS28.12 | -32768..32767 | Word addr 40189 | |
| DS19.13 | DS28.13 | -32768..32767 | Word addr 40190 | |
| | | | Not used | Word addr 40191 |
| | | | Not used | Word addr 40192 |
| DS1.11 | DS10.11 | -32768..32767 | Data to AC80 | Word addr 41185 |
| DS1.12 | DS10.12 | -32768..32767 | | Word addr 41186 |
| DS1.13 | DS10.13 | -32768..32767 | | Word addr 41187 |
| DS3.11 | DS12.11 | -32768..32767 | | Word addr 41188 |
| DS3.12 | DS12.12 | -32768..32767 | | Word addr 41189 |
| DS3.13 | DS12.13 | -32768..32767 | | Word addr 41190 |
| DS5.11 | DS14.11 | -32768..32767 | | Word addr 41191 |
| DS5.12 | DS14.12 | -32768..32767 | | Word addr 41192 |
| DS5.13 | DS14.13 | -32768..32767 | | Word addr 41193 |
| DS7.11 | DS16.11 | -32768..32767 | | Word addr 41194 |
| DS7.12 | DS16.12 | -32768..32767 | | Word addr 41195 |
| DS7.13 | DS16.13 | -32768..32767 | | Word addr 41196 |
| DS9.11 | DS18.11 | -32768..32767 | | Word addr 41197 |
| DS9.12 | DS18.12 | -32768..32767 | | Word addr 41198 |
| DS9.13 | DS18.13 | -32768..32767 | | Word addr 41199 |
| DS11.11 | DS20.11 | -32768..32767 | | Word addr 41200 |
| DS11.12 | DS20.12 | -32768..32767 | | Word addr 41201 |
| DS11.13 | DS20.13 | -32768..32767 | | Word addr 41202 |
| DS13.11 | DS22.11 | -32768..32767 | | Word addr 41203 |
| DS13.12 | DS22.12 | -32768..32767 | | Word addr 41204 |
| DS13.13 | DS22.13 | -32768..32767 | Word addr 41205 | |
| DS15.11 | DS24.11 | -32768..32767 | Word addr 41206 | |
| DS15.12 | DS24.12 | -32768..32767 | Word addr 41207 | |
| DS15.13 | DS24.13 | -32768..32767 | Word addr 41208 | |
| DS17.11 | DS26.11 | -32768..32767 | Word addr 41209 | |
| DS17.12 | DS26.12 | -32768..32767 | Word addr 41210 | |
| DS17.13 | DS26.13 | -32768..32767 | Word addr 41211 | |
| DS19.11 | DS28.11 | -32768..32767 | Word addr 41212 | |
| DS19.12 | DS28.12 | -32768..32767 | Word addr 41213 | |
| DS19.13 | DS28.13 | -32768..32767 | Word addr 41214 | |
| | | | Not used | Word addr 41215 |
| | | | Not used | Word addr 41216 |

PROCESSELEKTRONIK AB

Ref.
PE1364B/V11

DESCRIPTION

| | | | | |
|------------------------------------|-------------------------|----------------------|------|-------------------------|
| Firmware PE1364B Program Ver 20 | From-Från | Date-Datum | Reg. | Page-Sidan 43 |
| | 2010-04-12 | | | |
| | Dealt with by-Utfördare | Telephone-Telefon-nr | | |
| | Sven-Erik Karlsson | 187050 | | |

ModulBus(DDCS) – Modbus TCP converter PE1364B

Node 7, Signal mapping when acting as Slave on DDCS, only for node 1-8, if DIP S1.6 is On

| AC80 Data ,Start DS1 | AC80 Data,Start DS10 | Value | Logged data to ModbusTCP | Modbus TCP data |
|----------------------|----------------------|---------------|--------------------------|-----------------|
| DS1.11 | DS10.11 | -32768..32767 | Data from AC80 | Word addr 40193 |
| DS1.12 | DS10.12 | -32768..32767 | | Word addr 40194 |
| DS1.13 | DS10.13 | -32768..32767 | | Word addr 40195 |
| DS3.11 | DS12.11 | -32768..32767 | | Word addr 40196 |
| DS3.12 | DS12.12 | -32768..32767 | | Word addr 40197 |
| DS3.13 | DS12.13 | -32768..32767 | | Word addr 40198 |
| DS5.11 | DS14.11 | -32768..32767 | | Word addr 40199 |
| DS5.12 | DS14.12 | -32768..32767 | | Word addr 40200 |
| DS5.13 | DS14.13 | -32768..32767 | | Word addr 40201 |
| DS7.11 | DS16.11 | -32768..32767 | | Word addr 40202 |
| DS7.12 | DS16.12 | -32768..32767 | | Word addr 40203 |
| DS7.13 | DS16.13 | -32768..32767 | | Word addr 40204 |
| DS9.11 | DS18.11 | -32768..32767 | | Word addr 40205 |
| DS9.12 | DS18.12 | -32768..32767 | | Word addr 40206 |
| DS9.13 | DS18.13 | -32768..32767 | | Word addr 40207 |
| DS11.11 | DS20.11 | -32768..32767 | | Word addr 40208 |
| DS11.12 | DS20.12 | -32768..32767 | | Word addr 40209 |
| DS11.13 | DS20.13 | -32768..32767 | | Word addr 40210 |
| DS13.11 | DS22.11 | -32768..32767 | | Word addr 40211 |
| DS13.12 | DS22.12 | -32768..32767 | | Word addr 40212 |
| DS13.13 | DS22.13 | -32768..32767 | | Word addr 40213 |
| DS15.11 | DS24.11 | -32768..32767 | | Word addr 40214 |
| DS15.12 | DS24.12 | -32768..32767 | | Word addr 40215 |
| DS15.13 | DS24.13 | -32768..32767 | | Word addr 40216 |
| DS17.11 | DS26.11 | -32768..32767 | | Word addr 40217 |
| DS17.12 | DS26.12 | -32768..32767 | | Word addr 40218 |
| DS17.13 | DS26.13 | -32768..32767 | | Word addr 40219 |
| DS19.11 | DS28.11 | -32768..32767 | | Word addr 40220 |
| DS19.12 | DS28.12 | -32768..32767 | | Word addr 40221 |
| DS19.13 | DS28.13 | -32768..32767 | | Word addr 40222 |
| | | | Not used | Word addr 40223 |
| | | | Not used | Word addr 40224 |
| DS1.11 | DS10.11 | -32768..32767 | Data to AC80 | Word addr 41217 |
| DS1.12 | DS10.12 | -32768..32767 | | Word addr 41218 |
| DS1.13 | DS10.13 | -32768..32767 | | Word addr 41219 |
| DS3.11 | DS12.11 | -32768..32767 | | Word addr 41220 |
| DS3.12 | DS12.12 | -32768..32767 | | Word addr 41221 |
| DS3.13 | DS12.13 | -32768..32767 | | Word addr 41222 |
| DS5.11 | DS14.11 | -32768..32767 | | Word addr 41223 |
| DS5.12 | DS14.12 | -32768..32767 | | Word addr 41224 |
| DS5.13 | DS14.13 | -32768..32767 | | Word addr 41225 |
| DS7.11 | DS16.11 | -32768..32767 | | Word addr 41226 |
| DS7.12 | DS16.12 | -32768..32767 | | Word addr 41227 |
| DS7.13 | DS16.13 | -32768..32767 | | Word addr 41228 |
| DS9.11 | DS18.11 | -32768..32767 | | Word addr 41229 |
| DS9.12 | DS18.12 | -32768..32767 | | Word addr 41230 |
| DS9.13 | DS18.13 | -32768..32767 | | Word addr 41231 |
| DS11.11 | DS20.11 | -32768..32767 | | Word addr 41232 |
| DS11.12 | DS20.12 | -32768..32767 | | Word addr 41233 |
| DS11.13 | DS20.13 | -32768..32767 | | Word addr 41234 |
| DS13.11 | DS22.11 | -32768..32767 | | Word addr 41235 |
| DS13.12 | DS22.12 | -32768..32767 | | Word addr 41236 |
| DS13.13 | DS22.13 | -32768..32767 | | Word addr 41237 |
| DS15.11 | DS24.11 | -32768..32767 | | Word addr 41238 |
| DS15.12 | DS24.12 | -32768..32767 | | Word addr 41239 |
| DS15.13 | DS24.13 | -32768..32767 | | Word addr 41240 |
| DS17.11 | DS26.11 | -32768..32767 | | Word addr 41241 |
| DS17.12 | DS26.12 | -32768..32767 | | Word addr 41242 |
| DS17.13 | DS26.13 | -32768..32767 | | Word addr 41243 |
| DS19.11 | DS28.11 | -32768..32767 | | Word addr 41244 |
| DS19.12 | DS28.12 | -32768..32767 | | Word addr 41245 |
| DS19.13 | DS28.13 | -32768..32767 | | Word addr 41246 |
| | | | Not used | Word addr 41247 |
| | | | Not used | Word addr 41248 |

DESCRIPTION

| | | | | |
|------------------------------------|-------------------------|----------------------|------|-------------------------|
| Firmware PE1364B Program Ver 20 | From-Från | Date-Datum | Reg. | Page-Sidan 44 |
| | 2010-04-12 | | | |
| | Dealt with by-Utfärdare | Telephone-Telefon-nr | | |
| | Sven-Erik Karlsson | 187050 | | |

ModulBus(DDCS) – Modbus TCP converter PE1364B

Node 8, Signal mapping when acting as Slave on DDCS, only for node 1-8, if DIP S1.6 is On

| AC80 Data ,Start DS1 | AC80 Data,Start DS10 | Value | Logged data to ModbusTCP | Modbus TCP data | |
|----------------------|----------------------|---------------|--------------------------|---------------------|-----------------|
| DS1.11 | DS10.11 | -32768..32767 | Data from AC80 | Word addr 40225 | |
| DS1.12 | DS10.12 | -32768..32767 | | Word addr 40226 | |
| DS1.13 | DS10.13 | -32768..32767 | | Word addr 40227 | |
| DS3.11 | DS12.11 | -32768..32767 | | Word addr 40228 | |
| DS3.12 | DS12.12 | -32768..32767 | | Word addr 40229 | |
| DS3.13 | DS12.13 | -32768..32767 | | Word addr 40230 | |
| DS5.11 | DS14.11 | -32768..32767 | | Word addr 40231 | |
| DS5.12 | DS14.12 | -32768..32767 | | Word addr 40232 | |
| DS5.13 | DS14.13 | -32768..32767 | | Word addr 40233 | |
| DS7.11 | DS16.11 | -32768..32767 | | Word addr 40234 | |
| DS7.12 | DS16.12 | -32768..32767 | | Word addr 40235 | |
| DS7.13 | DS16.13 | -32768..32767 | | Word addr 40236 | |
| DS9.11 | DS18.11 | -32768..32767 | | Word addr 40237 | |
| DS9.12 | DS18.12 | -32768..32767 | | Word addr 40238 | |
| DS9.13 | DS18.13 | -32768..32767 | | Word addr 40239 | |
| DS11.11 | DS20.11 | -32768..32767 | | Word addr 40240 | |
| DS11.12 | DS20.12 | -32768..32767 | | Word addr 40241 | |
| DS11.13 | DS20.13 | -32768..32767 | | Word addr 40242 | |
| DS13.11 | DS22.11 | -32768..32767 | | Word addr 40243 | |
| DS13.12 | DS22.12 | -32768..32767 | | Word addr 40244 | |
| DS13.13 | DS22.13 | -32768..32767 | | Word addr 40245 | |
| DS15.11 | DS24.11 | -32768..32767 | | Word addr 40246 | |
| DS15.12 | DS24.12 | -32768..32767 | | Word addr 40247 | |
| DS15.13 | DS24.13 | -32768..32767 | | Word addr 40248 | |
| DS17.11 | DS26.11 | -32768..32767 | | Word addr 40249 | |
| DS17.12 | DS26.12 | -32768..32767 | | Word addr 40250 | |
| DS17.13 | DS26.13 | -32768..32767 | | Word addr 40251 | |
| DS19.11 | DS28.11 | -32768..32767 | | Word addr 40252 | |
| DS19.12 | DS28.12 | -32768..32767 | | Word addr 40253 | |
| DS19.13 | DS28.13 | -32768..32767 | | Word addr 40254 | |
| | | | | Not used | Word addr 40255 |
| | | | | Not used | Word addr 40256 |
| DS1.11 | DS10.11 | -32768..32767 | | Data to AC80 | Word addr 41249 |
| DS1.12 | DS10.12 | -32768..32767 | | | Word addr 41250 |
| DS1.13 | DS10.13 | -32768..32767 | | | Word addr 41251 |
| DS3.11 | DS12.11 | -32768..32767 | | | Word addr 41252 |
| DS3.12 | DS12.12 | -32768..32767 | | | Word addr 41253 |
| DS3.13 | DS12.13 | -32768..32767 | | | Word addr 41254 |
| DS5.11 | DS14.11 | -32768..32767 | | | Word addr 41255 |
| DS5.12 | DS14.12 | -32768..32767 | | | Word addr 41256 |
| DS5.13 | DS14.13 | -32768..32767 | | | Word addr 41257 |
| DS7.11 | DS16.11 | -32768..32767 | | | Word addr 41258 |
| DS7.12 | DS16.12 | -32768..32767 | | | Word addr 41259 |
| DS7.13 | DS16.13 | -32768..32767 | | | Word addr 41260 |
| DS9.11 | DS18.11 | -32768..32767 | | | Word addr 41261 |
| DS9.12 | DS18.12 | -32768..32767 | | | Word addr 41262 |
| DS9.13 | DS18.13 | -32768..32767 | | | Word addr 41263 |
| DS11.11 | DS20.11 | -32768..32767 | | | Word addr 41264 |
| DS11.12 | DS20.12 | -32768..32767 | | | Word addr 41265 |
| DS11.13 | DS20.13 | -32768..32767 | Word addr 41266 | | |
| DS13.11 | DS22.11 | -32768..32767 | Word addr 41267 | | |
| DS13.12 | DS22.12 | -32768..32767 | Word addr 41268 | | |
| DS13.13 | DS22.13 | -32768..32767 | Word addr 41269 | | |
| DS15.11 | DS24.11 | -32768..32767 | Word addr 41270 | | |
| DS15.12 | DS24.12 | -32768..32767 | Word addr 41271 | | |
| DS15.13 | DS24.13 | -32768..32767 | Word addr 41272 | | |
| DS17.11 | DS26.11 | -32768..32767 | Word addr 41273 | | |
| DS17.12 | DS26.12 | -32768..32767 | Word addr 41274 | | |
| DS17.13 | DS26.13 | -32768..32767 | Word addr 41275 | | |
| DS19.11 | DS28.11 | -32768..32767 | Word addr 41276 | | |
| DS19.12 | DS28.12 | -32768..32767 | Word addr 41277 | | |
| DS19.13 | DS28.13 | -32768..32767 | Word addr 41278 | | |
| | | | Not used | Word addr 41279 | |

DESCRIPTION

| | | | | |
|------------------------------------|------------|----------------------|------|-------------------------|
| Firmware PE1364B Program Ver 20 | From-Från | Date-Datum | Reg. | Page-Sidan 45 |
| | 2010-04-12 | | | |
| Dealt with by-Utfördare | | Telephone-Telefon-nr | | |
| Sven-Erik Karlsson | | 187050 | | |

ModulBus(DDCS) – Modbus TCP converter PE1364B

**Signal mapping Synch OUT signal , Function is Active if DIP S1.5 is Off
Function is Active even if no active slave is used**

| TX signal in RS232 | Value | Logged data to ModbusTCP | Modbus TCP data |
|--------------------|--------|--|-----------------|
| PIN 2 | 0 or 1 | SYNCH OUT data from ModbusTCP to TX port | Word addr 41025 |

SYNCH OUT Signal.

Same register 41025 are used for Data to Active slave.

From ModbusTCP it is possible to SET or RESET the TX output in the RS232 connector (PIN 2)

Set the SYNCH OUT (Word addr 41025) to 0 then RS232 TX signal goes to -8V.

Set the SYNCH OUT (Word addr 41025) to any value except 0 then RS232 TX signal goes to +8V.

3. Firmware versions

Ver20 2010-04-12

Address for Status indication can be selected from the service program.

Ver19 2009-03-26

Slave offset address settings with DIP switch from 0 to 56.

Possible to use Service program on PC to change IP settings.

Ver18 2008-12-01

RS232 Synchronisation signals IN and OUT added. Possible to Read the SYNCH INPUT on ModbusTCP and possible to SET and Reset the Synch output Signal from ModbusTCP.

DIP Switch number SW1:5 is used to select Service program or the Synch signal.

PE1364B Version number can be read in register 40874

Ver17 2008-09-11

Word swapping high and low byte corrected for active slave