

**FBM232 Field Device System Integrator Module,
10/100 Mbps Ethernet, Single**



The FBM232 Field Device System Integrator (FDSI) module provides a single Ethernet interface between single-ported field I/O devices and the Foxboro Evo™ system.

OVERVIEW

The FBM232 connects to a single 10 Mbps or 100 Mbps copper Ethernet network to communicate with devices. The FBM232 is connected to Ethernet switches or hubs in order to communicate with one external device or up to 64 external devices.

The general network configuration is shown in Figure 1.

FEATURES

Key features of the FBM232 are:

- ▶ 10 Mbps or 100 Mbps Ethernet network transmission rate to/from field device
- ▶ Communicates with up to 64 field devices
- ▶ I/O software driver is downloadable from a library of available protocols
- ▶ Up to 2000 DCI block connections
- ▶ Integrates field device data into a Foxboro Evo control database using Ethernet connectivity
- ▶ Field mounted
- ▶ Class G3 (harsh) environments.

I/O DRIVERS

This FBM is a generic Ethernet hardware module in which different software drivers can be loaded. These drivers configure the FBM to recognize a particular protocol used by the device. Several of the software drivers are standard product offerings. Other custom drivers can be developed to meet specific needs.

These drivers are dynamically downloaded to the FBM232 with software code specifically designed to interface with the third party device's protocol. The configuration procedures and the software requirements for each driver are unique to the device(s) being integrated into the system.

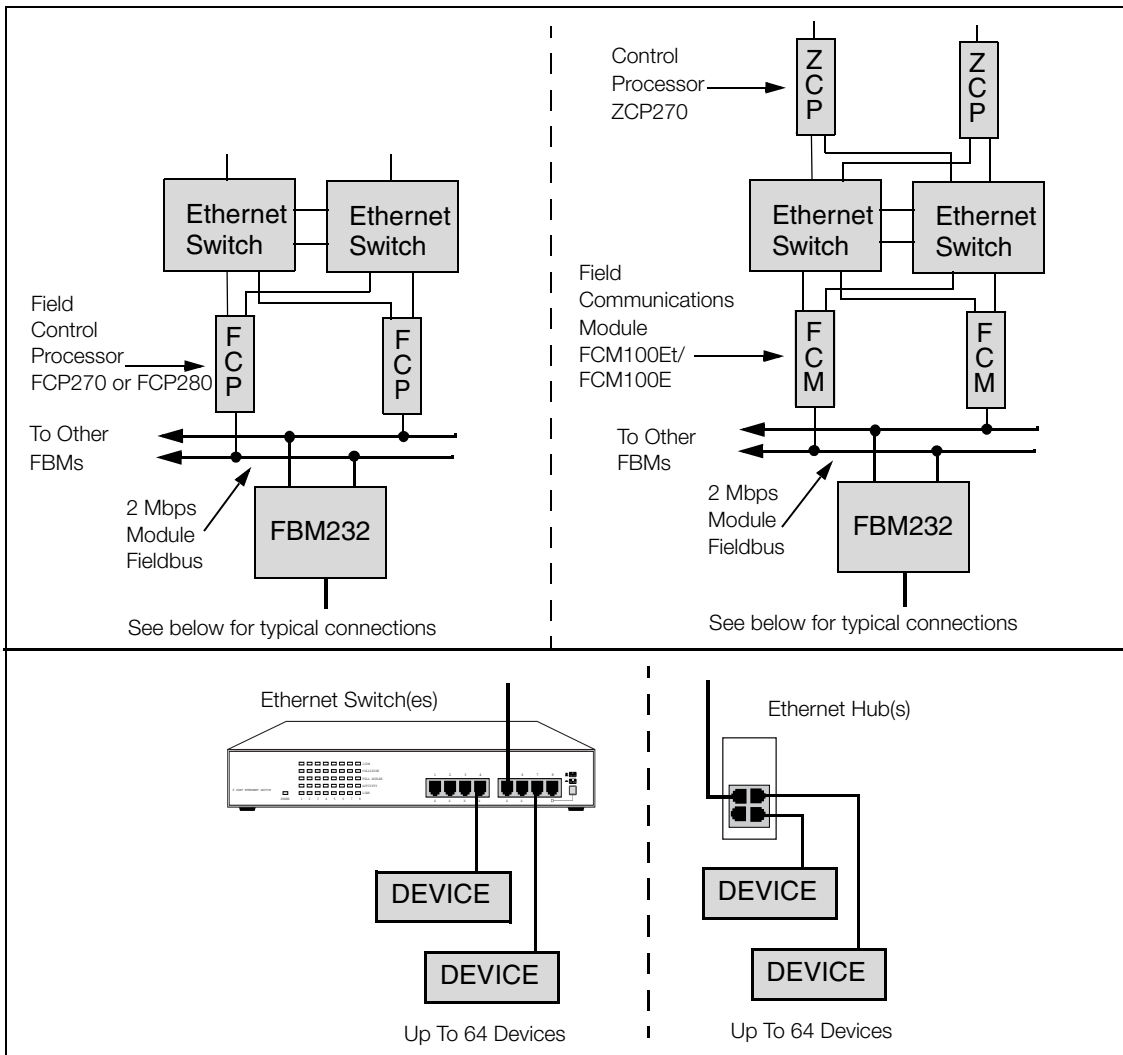


Figure 1. FBM232 in Typical Network Configuration

ETHERNET LINK SETUP

Data communication between the FBM232 and field devices are through the RJ-45 connector located on the front of the FBM232 module. The RJ-45 connector of the FBM232 can be connected through hubs, or through Ethernet switches to the field devices (refer to “ETHERNET SWITCHES FOR USE WITH FBM232” on page 8). Connection of multiple devices to the FBM232 requires a hub or switch.

CONFIGURATOR

The FDSI configurator sets up the FBM232 XML based port and device configuration files. The port configurator allows for easy setup of the communication parameters for each port (such as, Dynamic Host Configuration Protocol (DHCP), IP addresses). The device configurator is not needed for all devices, but when needed it configures device specific and point specific considerations (such as, scan rate, address of the data to be transferred, and the amount of data to be transferred in one transaction).

OPERATIONS

The FBM232 can access up to 64 devices to read or write data. From the Foxboro Evo control station to which the FBM232 is connected, up to 2000 Distributed Control Interface (DCI) data connections can be made to read or write data. Supported data types are determined by the particular driver loaded on the FBM232, which converts the data to the DCI data types listed below:

- ▶ An analog input or output value (integer or IEEE single-precision floating point)
- ▶ A single digital input or output value
- ▶ Multiple (packed) digital input or output values (packed in groups of up to 32 digital points per connection).

Thus a Foxboro Evo control station can access up to 2000 analog I/O values, or up to 64000 digital I/O values, or a combination of digital and analog values using the FBM232. The frequency of access to the FBM232 data by a control station can be as fast as 500 ms. The performance is dependant on each device type and the layout of data in the device.

The FBM232 collects the required data from the devices, performs the necessary conversions, and then stores the converted data in its database for incorporation into the Foxboro Evo plant management functions and operator displays. Data may also be written out to the individual devices from the Foxboro Evo system.

FIELDBUS COMMUNICATION

The Fieldbus Communications Module (FCM100Et or FCM100E) or the Field Control Processor (FCP270 or FCP280) interface the redundant 2 Mbps module Fieldbus used by the FBMs. The FBM232 accepts communication from either path of the redundant 2 Mbps module Fieldbus - should one path fail or be switched at the system level, the module continues communication over the active path.

CONTROL BLOCK SUPPORT

The FBM232 offers control block support for the following standard Foxboro Evo Distributed Control Interface (DCI) block types:

BIN	Binary Input
BINR	Binary Input Redundant
BOUT	Binary Output
IIN	Integer Input
IOUT	Integer Output
PAKIN	Packed Input
PAKOUT	Packed Output
PLSOUT	Pulse Output
RIN	Real Input
RINR	Real Input Redundant
ROUT	Real Output
STRIN	String Input
STROUT	String Output

The DCI blocks are configured just like other Foxboro Evo control blocks. The DCI blocks address and read/write data from/to the addressed field device.

COMPACT, RUGGED DESIGN

The FBM232 has a compact design, with a rugged extruded aluminum exterior for physical and electrical protection of the circuits. Enclosures, specially designed for mounting the FBMs, provide various levels of environmental protection, up to Class G3 harsh environments per ISA Standard S71.04.

MODULAR BASEPLATE MOUNTING

The module mounts on a Modular Baseplate, which accommodates up to four or eight FBMs. The Modular Baseplate is either DIN rail mounted or rack mounted. The Modular Baseplate includes signal connectors for the FBMs, provides connections for independent dc power supplies, I/O cable connections, and 2 Mbps Module Fieldbus connections.

EASY REMOVAL/REPLACEMENT

The module can be removed or replaced without removing power.

VISUAL INDICATORS

Light-emitting diodes (LEDs) incorporated into the front of the module provide visual indication of the module's operational status, and the communication activity (transmit/receive) of the Ethernet port.

FUNCTIONAL SPECIFICATIONS

Communications

BUS CHARACTERISTICS

Communication Type

Ethernet

Communication Transmission Rate

10 or 100 Mbps

Communication Protocol

UDP/IP or TCP/IP

IP Address

Fixed or DHCP

Note: For driver specific limitations on I/O Capacity and Data Types Transferred, refer to the corresponding driver PSS or User's Guide.

I/O CAPACITY

Up to 64 devices per FBM232 maximum (number of actual devices is performance dependent) with up to 2000 DCI connections.

DATA TYPES TRANSFERRED

2-byte or 4-byte signed or unsigned integers, 4-byte IEEE single-precision floating values, or binary values. Automatic conversion for other types as implemented in the downloadable driver.

FASTEST ALLOWED ECB BLOCK PERIOD

500 msec

MODULE FIELDBUS COMMUNICATION

Communicates with its associated FCM100Et, FCM100E, FCP280, or FCP270 via the redundant 2 Mbps module Fieldbus.

FBM232 Power Requirements

INPUT VOLTAGE RANGE (REDUNDANT)

24 V dc +5%, -10%

CONSUMPTION

7 W (maximum)

HEAT DISSIPATION

7 W (maximum)

FUNCTIONAL SPECIFICATIONS (CONTINUED)

Regulatory Compliance

ELECTROMAGNETIC COMPATIBILITY (EMC)

European EMC Directive 89/336/EEC

Meets: EN 50081-2 Emission standard
EN 50082-2 Immunity standard
EN 61326 Annex A for Industrial Environments

CISPR 11, Industrial Scientific and Medical (ISM) Radio-frequency Equipment - Electromagnetic Disturbance Characteristics - Limits and Methods of Measurement

Meets: Class A Limits

IEC 61000-4-2 ESD Immunity

Contact 4 kV, air 8 kV

IEC 61000-4-3 Radiated Field Immunity

10 V/m at 80 to 1000 MHz

IEC 61000-4-4 Electrical Fast

Transient/Burst Immunity

2 kV on I/O, dc power and communication lines

IEC 61000-4-5 Surge Immunity

2kV on ac and dc power lines; 1kV on I/O and communications lines

IEC 61000-4-6 Immunity to Conducted Disturbances Induced by Radio-frequency Fields

10 V (rms) at 150 kHz to 80 MHz on I/O, dc power and communication lines

IEC 61000-4-8 Power Frequency Magnetic Field Immunity

30 A/m at 50 and 60 Hz

PRODUCT SAFETY

Underwriters Laboratories (UL) for U.S. and Canada

UL/UL-C listed as suitable for use in UL/UL-C listed Class I, Groups A-D; Division 2; temperature code T4 enclosure based systems. Communications circuits meet the requirements for Class 2 as defined in Article 725 of the National Electrical Code (NFPA No.70) and Section 16 of the Canadian Electrical Code (CSA C22.1). Conditions for use are as specified in the *Standard and Compact 200 Series Subsystem User's Guide* (B0400FA).

European Low Voltage Directive 73/23/EEC and Explosive Atmospheres (ATEX) directive 94/9/EC

CENELEC (DEMKO) certified as EEx nA IIC T4 for use in CENELEC certified Zone 2 enclosure certified as associated apparatus for supplying non-incendive field circuits for Zone 2, Group IIC, potentially explosive atmospheres when connected to specified Foxboro Evo processor modules as described in the *Standard and Compact 200 Series Subsystem User's Guide* (B0400FA).

Calibration Requirements

Calibration of the module is not required.

ENVIRONMENTAL SPECIFICATIONS

Operating

TEMPERATURE

-20 to +70°C (-4 to +158°F)

RELATIVE HUMIDITY

5 to 95% (noncondensing)

Storage

TEMPERATURE

-40 to +70°C (-40 to +158°F)

RELATIVE HUMIDITY

5 to 95% (noncondensing)

Contamination

Suitable for use in Class G3 (Harsh) environments as defined in ISA Standard S71.04, based on exposure testing according to EIA Standard 364-65, Class III.

PHYSICAL SPECIFICATIONS

Mounting

The FBM232 mounts on a Modular Baseplate. The Modular Baseplate can be mounted horizontally or vertically on a DIN rail, or mounted horizontally in a 19-inch rack using a mounting kit. Refer to PSS 31H-2SBASEPLT for details.

Weight

284 g (10 oz) approximate

Part Number

P0926GW

Dimensions

HEIGHT

102 mm (4 in)

114 mm (4.5 in) including mounting lugs

WIDTH

45 mm (1.75)

DEPTH

104 mm (4.11 in)

Cables

FROM MODULE TO HUB/SWITCH/DEVICE

1 m (3.3 ft) up to 100 m (330 ft)

CONNECTORS

RJ-45

NULL HUB ADAPTER CABLE

P0971PK

ETHERNET SWITCHES FOR USE WITH FBM232

DIN Rail Mounted 5-Port 10/100 Base TX Switch

The 5-port 10/100 base TX Ethernet switch (P0972WE) is Din rail mounted and available for use with the FBM232. You can connect up to four Ethernet devices using this 5-port switch. Additionally, multiple switches can be interconnected to connect up to 64 devices to a single FBM232.

For detailed physical and electrical specifications, refer to *Model SFNB 5TX 2891001* at www.phoenixcontact.com/us/products.

Rack and Chassis Mounted Fast Ethernet Switches

For information on the Fast Ethernet switches, refer to *The MESH Control Network Ethernet Equipment* (PSS 31H-7C3).



Figure 2. 5-Port 10/100 Base TX DIN Rail Mounted Ethernet Switch (P0972WE)

FOR MORE INFORMATION

For more information refer to the following Product Specification Sheets:

RELATED PRODUCT SPECIFICATION SHEETS

PSS Number	Description
PSS 31H-2S200	Standard 200 Series Subsystem Overview
PSS 31H-2CERTS	Standard and Compact 200 Series I/O - Agency Certification
PSS 31H-7C3	The MESH Control Network Ethernet Equipment

Foxboro[®]
by Schneider Electric

Invensys Systems, Inc
10900 Equity Drive
Houston, TX 77041
United States of America
<http://www.invensys.com>

Global Customer Support
Inside U.S.: 1-866-746-6477
Outside U.S.: 1-508-549-2424
Website: <https://support.ips.invensys.com>

Copyright 2014 Invensys Systems, Inc.
All rights reserved.
Invensys is now part of Schneider Electric.

Invensys, Foxboro, and Foxboro Evo are trademarks
owned by Invensys Limited, its subsidiaries and affiliates.
All other trademarks are the property of their respective
owners.

MB 031

1214